

# SANSUI

## SR-525

OPERATING INSTRUCTIONS



TWO-SPEED DIRECT-DRIVE TURNTABLE



SANSUI ELECTRIC CO., LTD.

We are grateful for your choice of the Sansui SR-525 Direct-Drive Turntable. This precision instrument is designed to give you many years of superb hi-fi performance. We suggest that you read through this manual at least once for instructions on correct assembly procedures, connection with other equipment and correct operation procedures.

## FUNCTIONAL FEATURES

Direct-drive system.

Since the motor spindle directly turns the platter, setting up the turntable and maintaining it in top condition is easy. Fine speed adjustments can be made by observing the strobo markings on the periphery of the platter. The use of a servo-motor mechanism has made frequency changeover unnecessary; you need not change frequencies when you move to a region where the power frequency is different from the one of the area where you have purchased the turntable.

Simple operation.

A single lever powers the turntable and selects the platter speed, 33-1/3rpm or 45rpm. The direct-readout tracking-force dial facilitates tracking-force adjustments. This is a convenience feature especially appreciated by those who have more than two cartridges of different weights to mount on the turntable.

Long-wearing knife-edge support.

No undue friction is applied to the tonearm support while the tonearm is tracing record grooves. The original performance capability is maintained for many years.

Fully-provided accessory features for faithful groove tracing.

Such accessory features as the inside-force canceller and lateral balancer guarantee high-fidelity reproduction by eliminating unnatural stress on the tip of the stylus.

Independent tonearm lift mechanism.

It allows you to descend or ascend the tonearm at any desired portion of a record on the platter and at any time.

Provisions for CD-4 playback.

The output cables, supplied with your turntable, are of the low-capacitance type for improved high-frequency response. Simply replace a CD-4 cartridge for the one supplied to play CD-4 quadraphonic disc records.

ATTENTION: Pour éviter les dangers d'électrocution ou d'incendie, ne pas exposer cet appareil à la pluie ou à l'humidité.

WARNUNG: Setzen Sie dieses Gerät zur Verhütung von Feuer- und Stromschlaggefahr weder Regen noch Feuchtigkeit aus.

WARNING: To prevent fire or shock hazard, do not expose this appliance to rain or moisture.

## Contents

PRECAUTIONS	2-5
SET-UP AND CONNECTIONS	6-13
OPERATION	14-17
SIMPLE MAINTENANCE HINTS	18-27
SPECIFICATIONS	28, 29

# PRECAUTIONS

## Caution prior to operation

Avoid exposing the turntable (as well as your amplifier and other audio equipment) to rain or direct sunlight redundant.

Avoid exposing the turntable to dust, excessively warm or cold temperatures.

Place your turntable on a solid, vibration-free surface.

Avoid placing your turntable on an inclined surface, otherwise incorrect stylus tracking will deteriorate overall performance. See that the surface of a record, when placed upon the platter, is strictly horizontal.

The surface of the cabinet is treated by a special process. When cleaning it, use a soft cloth. When the surface is excessively dirty, clean it gently with cloth moistened with a diluted detergent and water solution.

Avoid subjecting the stylus and tonearm to unreasonable stress. The tonearm of your turntable should be handled with special care, for it is more loosely mounted than conventional tonearms, adopting a knife-edge support system for faithful groove tracing of its stylus.

## Power voltage changeover

Your turntable is adjusted in our factory to operate on the power voltage of the area where you purchased it. If you should move to an area where the voltage is different from the factory-adjusted one, it will be necessary to make the voltage changeover. See "SIMPLE MAINTENANCE HINTS" for the procedures.

If you purchased your turntable in the U.S.A. or Canada, it is pre-set to operate only on the power voltage of 120V (usable between 110V and 130V); changeover is not possible.

## How to avoid howling

Your turntable should be placed at a place as far from your speaker systems as possible, so that sound vibration does not effect stylus movement.

Acoustic feedback or "howling," caused when the sound emanating from the speaker systems vibrates the floor and air, will indirectly vibrate the stylus tip. Such vibration is amplified by the amplifier and reproduced through the speakers infinitely. The result is an oscillating boom audible when a record is played.

Should you experience howling, place the turntable still further away from the speakers, use separate bases for the turntable and the speakers, erect an acoustic shield between speakers and the turntable, and/or reduce the volume level.

## Keep the stylus tip clean

Dust and dirt are the major obstacles to noise-free record reproduction. When grime is allowed to collect in the record groove it will stick to the stylus tip, thus accelerating record and stylus wear and moreover deteriorating the quality of the reproduced sound. CD-4 records in particular require extra care.

Every time you play a record, first carefully remove all dirt and dust with a record cleaner; use the stylus brush to remove dirt from the stylus tip.

In cleaning the tip, avoid touching it with your finger or subjecting it to shock; such mistreatment may not only shorten its life but may even dislodge the jeweled tip itself.

## Induced hum

Any nearby motor-equipped apparatus such as an electric sewing machine or fan, or a large power transformer may influence your turntable and cause booming hum. If you experience this, move the apparatus in question as far as possible from the turntable. When placing the turntable next to your amplifier, hum will be reduced if you place it on the side of the amplifier opposite to the side where its transformer is located.

# SET-UP AND CONNECTIONS

## Setting up turntable

To mount the platter on the turntable, fit the platter slowly and gently onto the motor spindle, taking care not to apply any unreasonable force to the spindle. When the platter is securely fitted, place the rubber mat on the platter.

## Mounting head shell

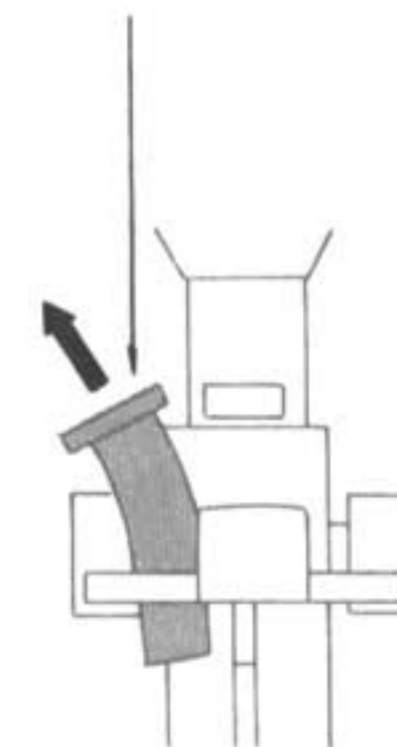
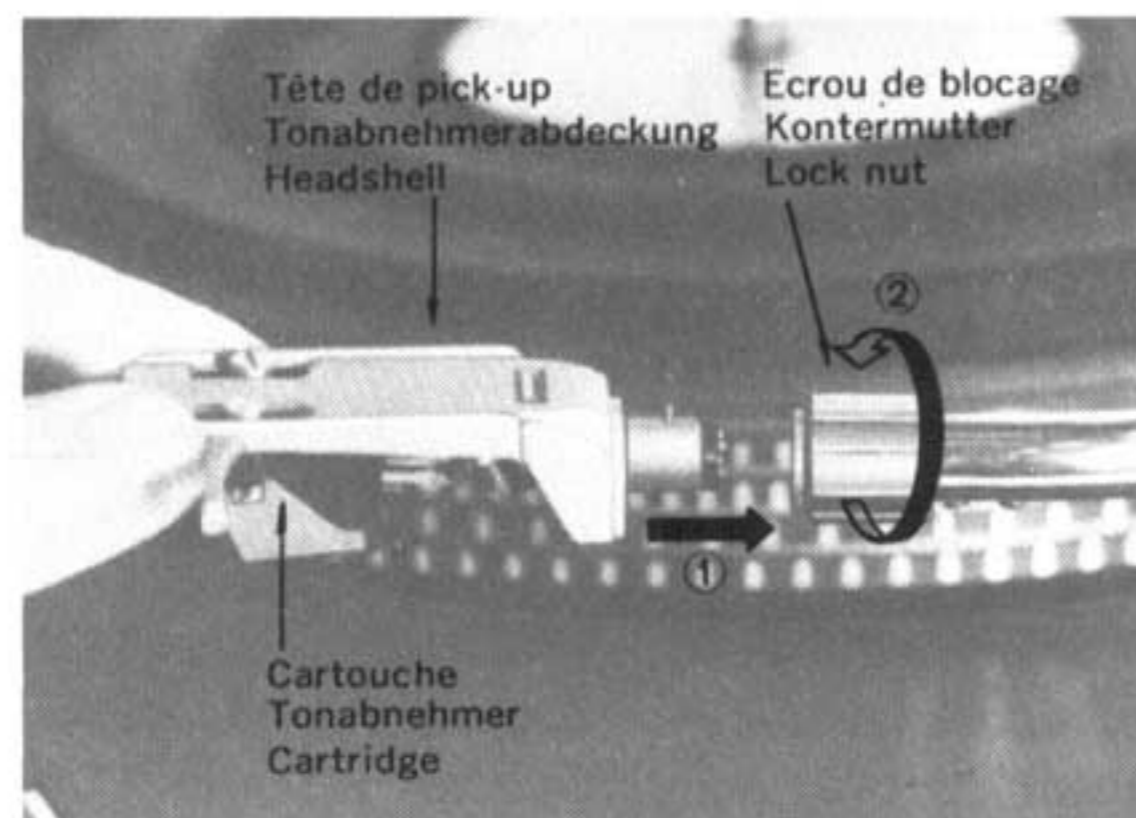
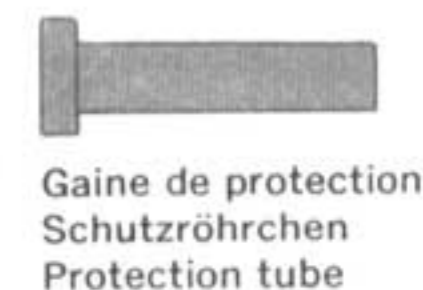
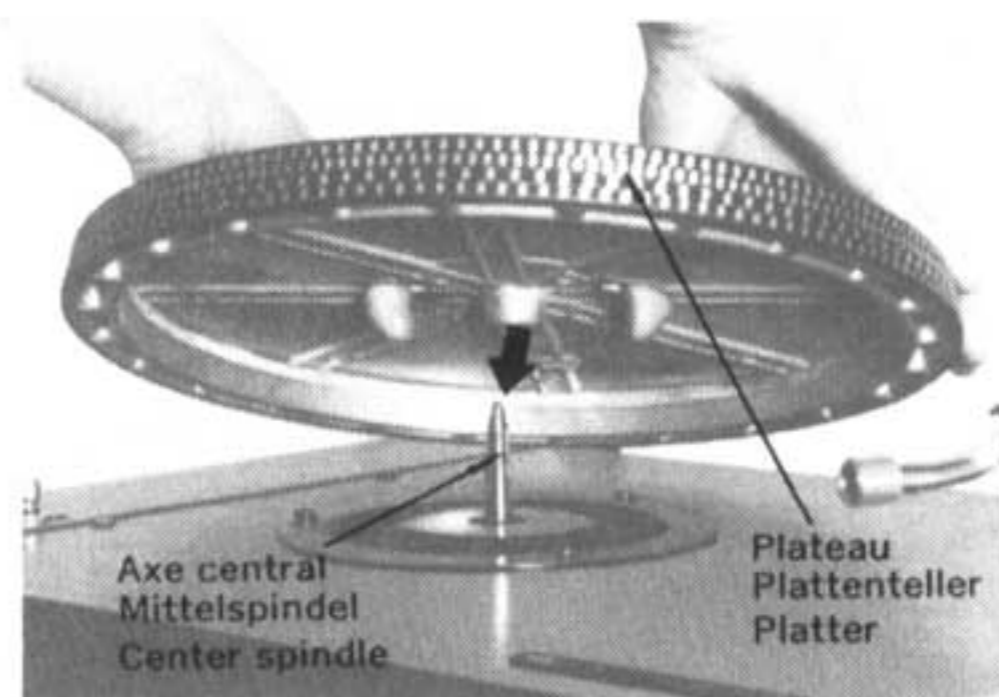
Insert the cartridge-equipped head shell into the lock nut at the end of the tonearm. Then push it lightly in the direction of arrow 1 and tighten the lock nut securely by turning it in the direction of arrow 2 as shown in the photograph at the right.

- When desiring to use a cartridge and/or head shell different than the ones supplied, refer to "Cartridge connections" and "Overhang adjustment" in the "SIMPLE MAINTENANCE HINTS" section before continuing the tonearm-mounting procedures.

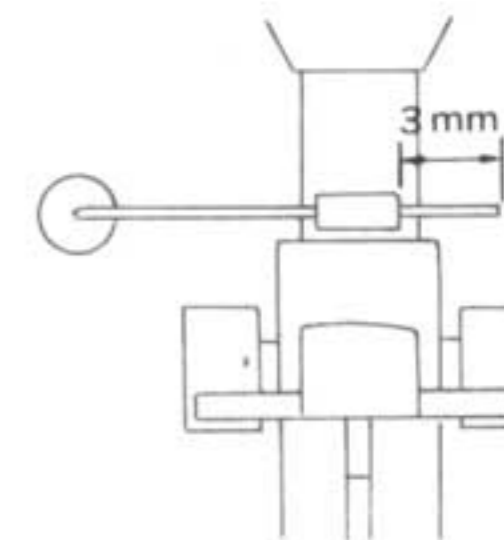
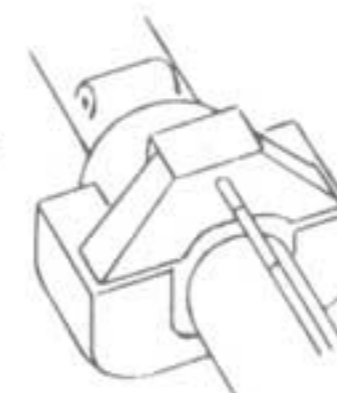
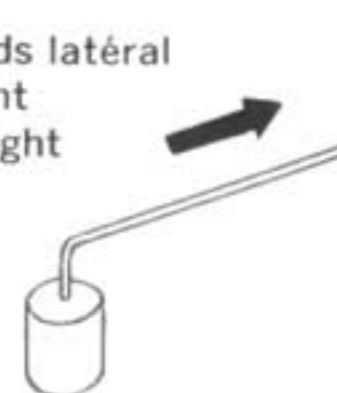
Notice: No cartridge is provided with units purchased in U.S.A., Canada and Europe.

## Installation of lateral weight

First remove the protection tube.  
Next, insert the lateral weight as shown in the illustration and keep the tip protruded about 3mm.



Contre-poids latéral  
Quergewicht  
Lateral weight



## Mounting main weight

Insert the main weight through the weight shaft of the tonearm and pull it toward you while turning it gently to the right.

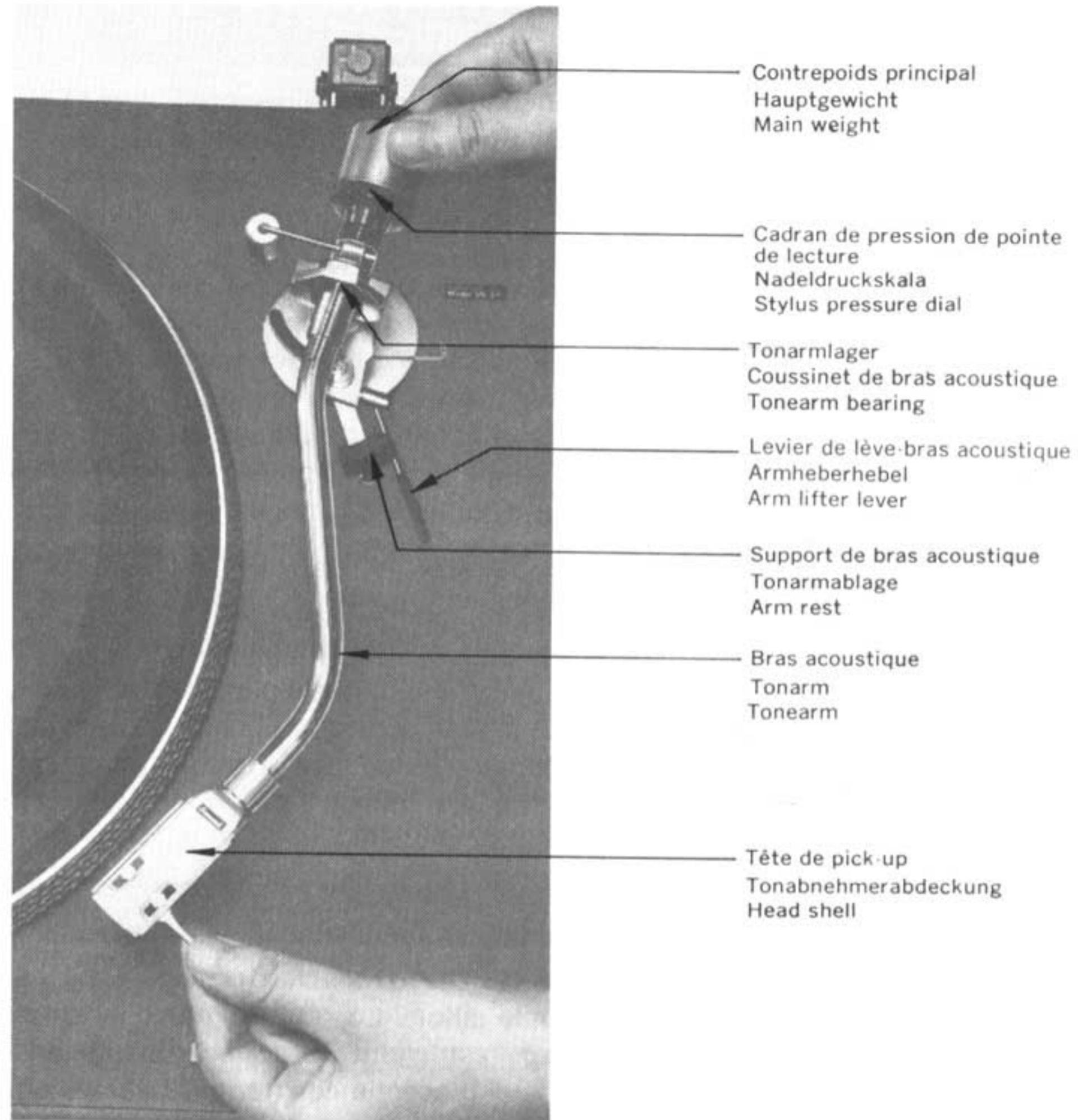
## Tonearm horizontal balance

Before undertaking tracking force adjustment, you must balance the tonearm in a perfectly horizontal plane to the motorboard to obtain a "0-gram" tracking force. Procedures are as described below:

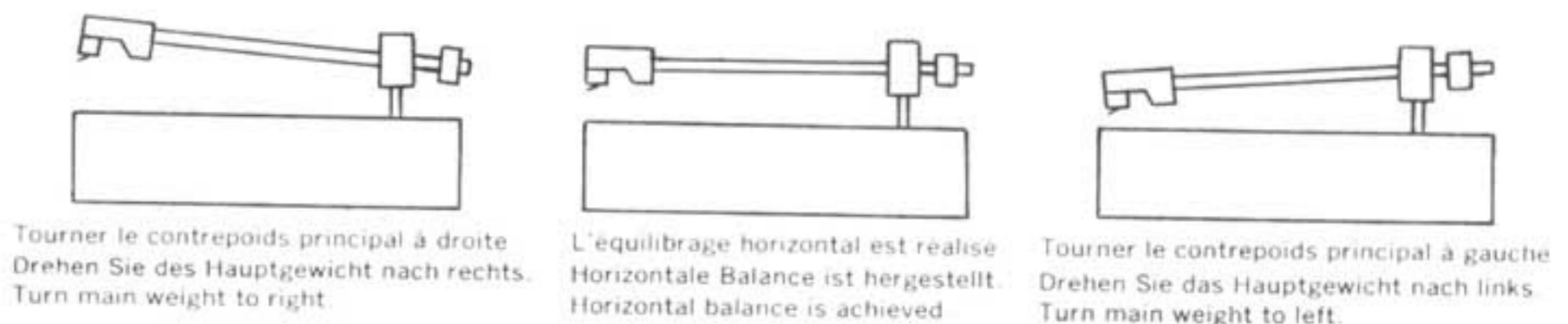
1. Remove the stylus protector cover.
  2. Pull down the arm lifter lever.
  3. While holding the head shell by its hook with your hand, move the tonearm to a place midway between the arm rest and the center spindle. Refer to the illustration. Take care not to let the stylus tip touch the platter.
  4. Turn the main weight with your other hand until the tonearm balances itself, remaining stationary and horizontal to the motorboard; if the head shell rises, move the main weight to the right (seen from behind). If it lowers, move it to the left.
  5. When the tonearm horizontal balance is achieved, return the tonearm to the arm rest and pull the arm lifter lever upward.
- Be very careful not to subject the stylus to undue shock during the tonearm horizontal balancing.

## Tracking-force application

When the tonearm horizontal balance is achieved, a "0-gram" tracking force is applied at the tip of the stylus. To apply the required positive tracking force, you have to move the main weight toward the tonearm support pivot. For detailed tracking-force application and adjustment, observe the following procedures.

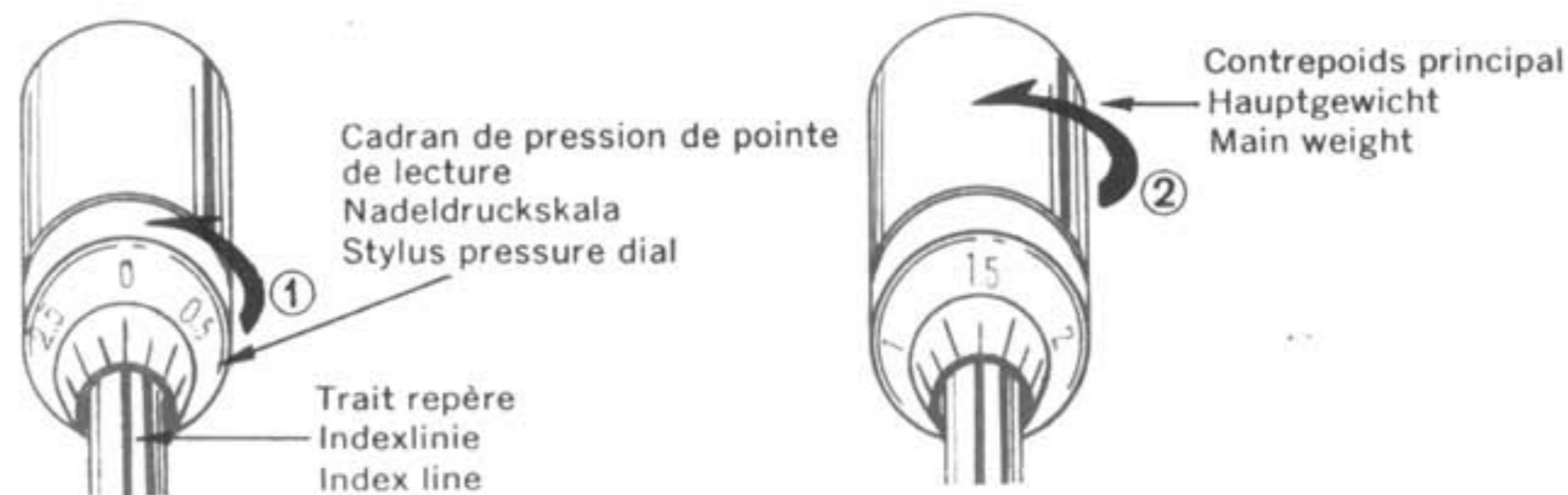


### Equilibrage horizontal du bras acoustique Horizontale Tonarmbalance Tonearm horizontal balance



## Tracking-force adjustment

1. The tracking-force dial can freely be turned by hand independently of the main weight. Taking care not to move the main weight, turn the dial to set the "0" calibration on the dial in line with the index on the weight shaft.
2. Turn the main weight to the right. Since the tracking-force dial turns in proportion as you turn the main weight, you can read the applied tracking force easily by the numerals and calibrations on the dial, positioned above the index line on the weight shaft. Optimum tracking-force of the cartridge supplied is between 1.5 and 2 grams; turn the main weight until the numeral or calibration on the dial is "1.5" to "2.0."

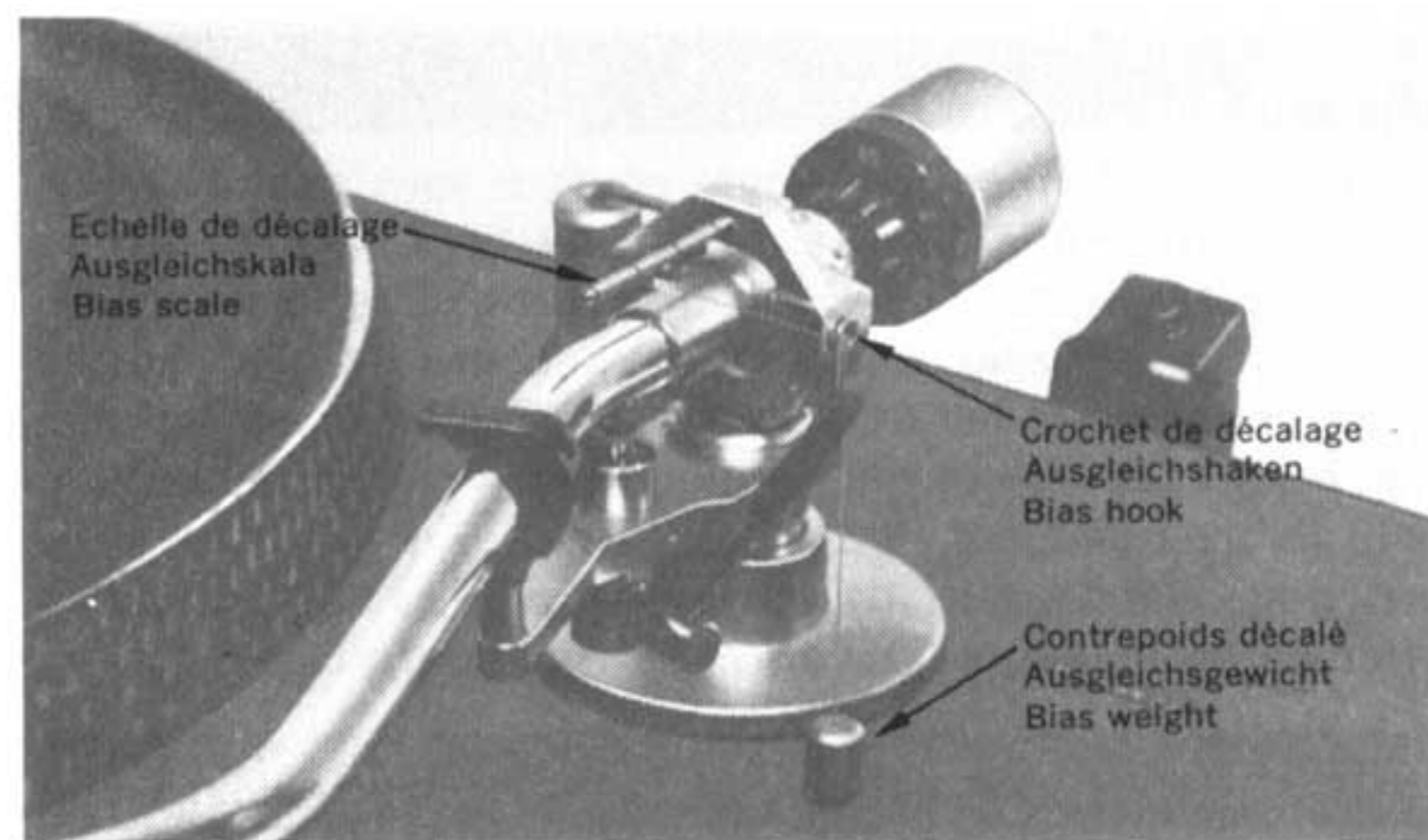


## Anti-skating device

Skating force is the natural force, caused by rotation of a record on the platter, which pulls the tonearm toward the center spindle. The anti-skating device is the mechanism to cancel this force to prevent uneven wear and unbalanced left-right sound.

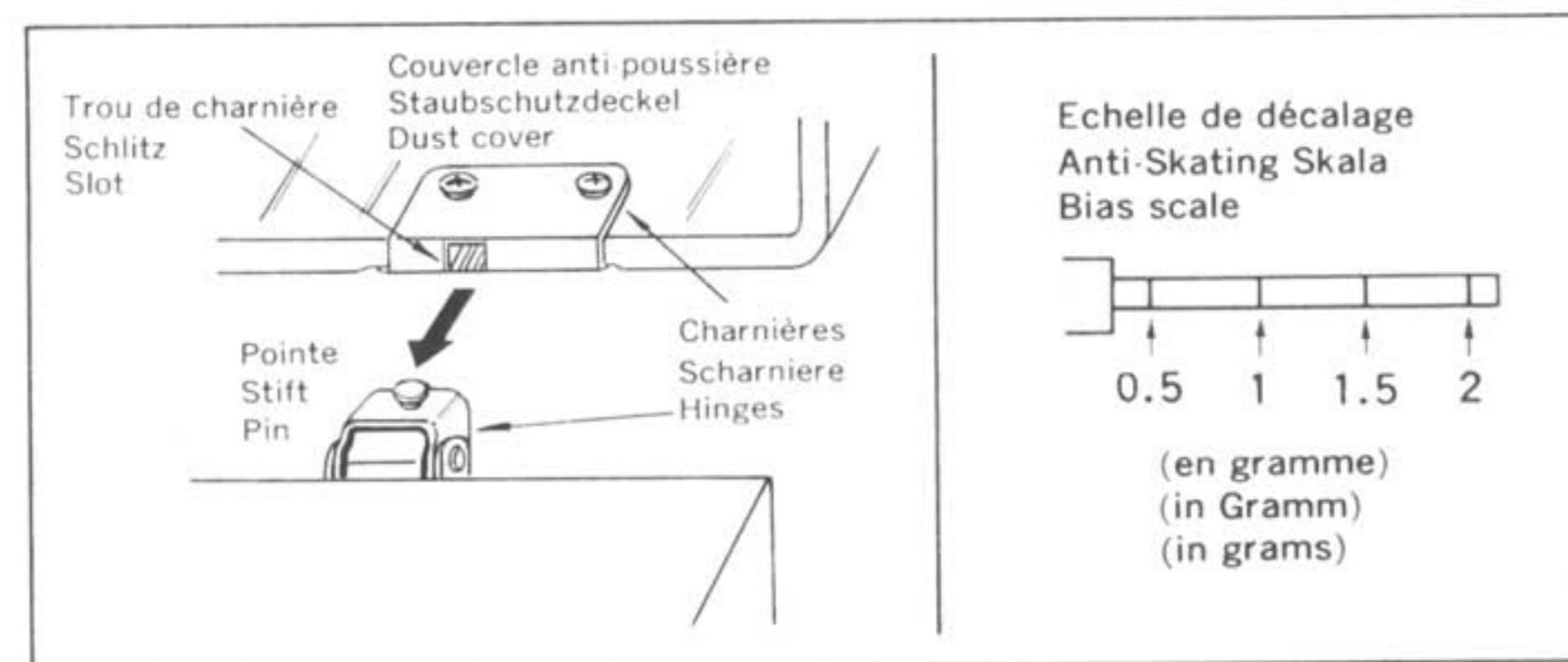
## Anti-skating device adjustment

The position of the bias weight of the anti-skating device is closely related to the applied tracking force. The relationship between the tracking force and bias scale is shown in the illustration. Determine the notch into which to fit the bias weight depending on the applied tracking force. For example, when 1.5-gram tracking force is applied, hook the loop of the bias weight cord into the second notch (counting from the one on the bar end) of the bias scale and thread the cord through the bias hook to suspend the bias weight.



## Mounting dust cover

Insert the hinge pins of the turntable cabinet into the slots of the dust cover hinge, and slide the cover in the direction of the arrow until it locks into place, as illustrated. To remove the dust cover, reverse the above steps.



## Connections with amplifier

The output cables supplied with your turntable are of the low-capacitance type, suitable especially for CD-4\* record playback. These cables should be used to connect the turntable with the "PHONO" terminals on your amplifier; cable for the right channel is red-colored and the other for the left is not, to facilitate correct connection.

© M JVC, Inc.

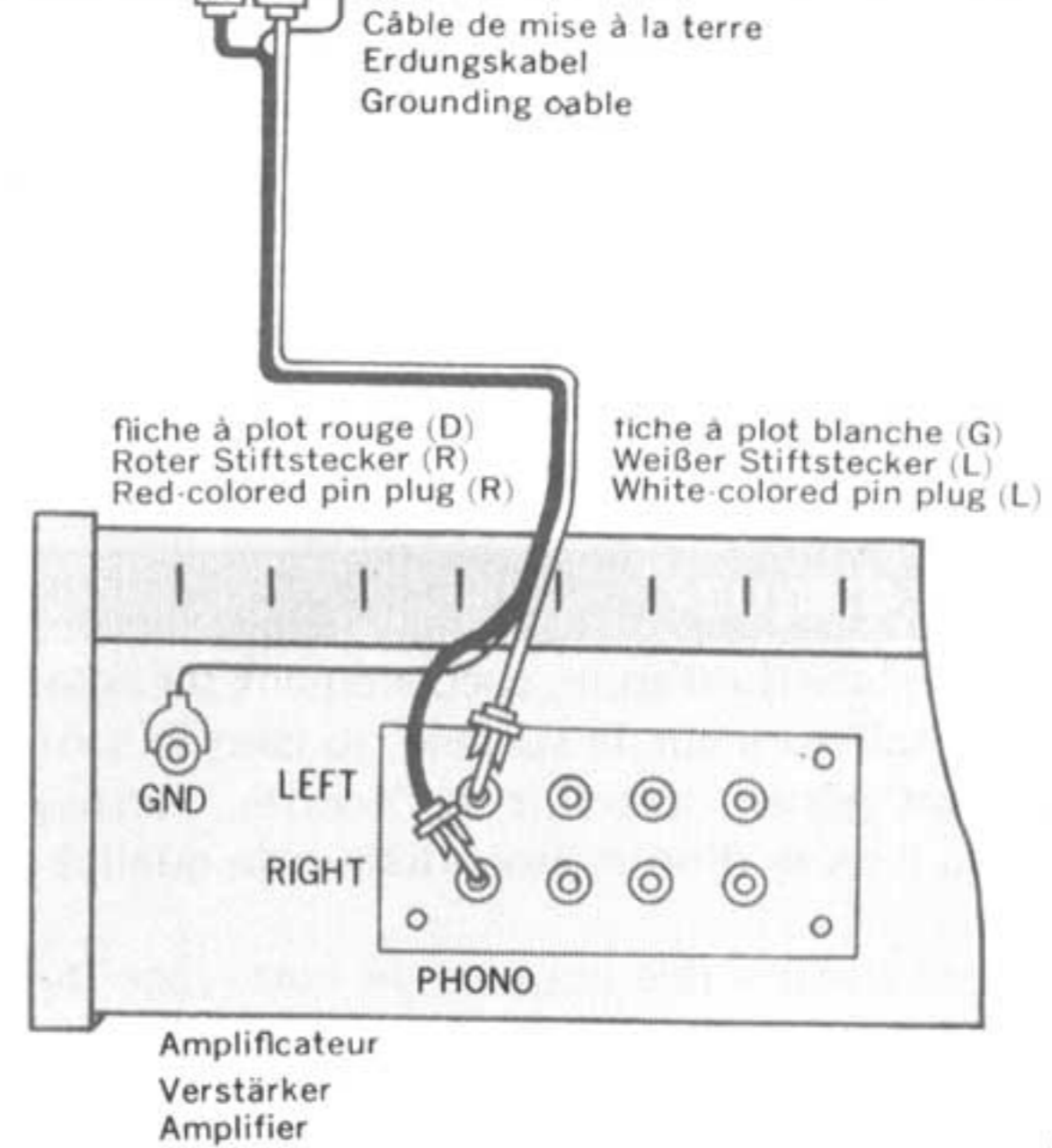
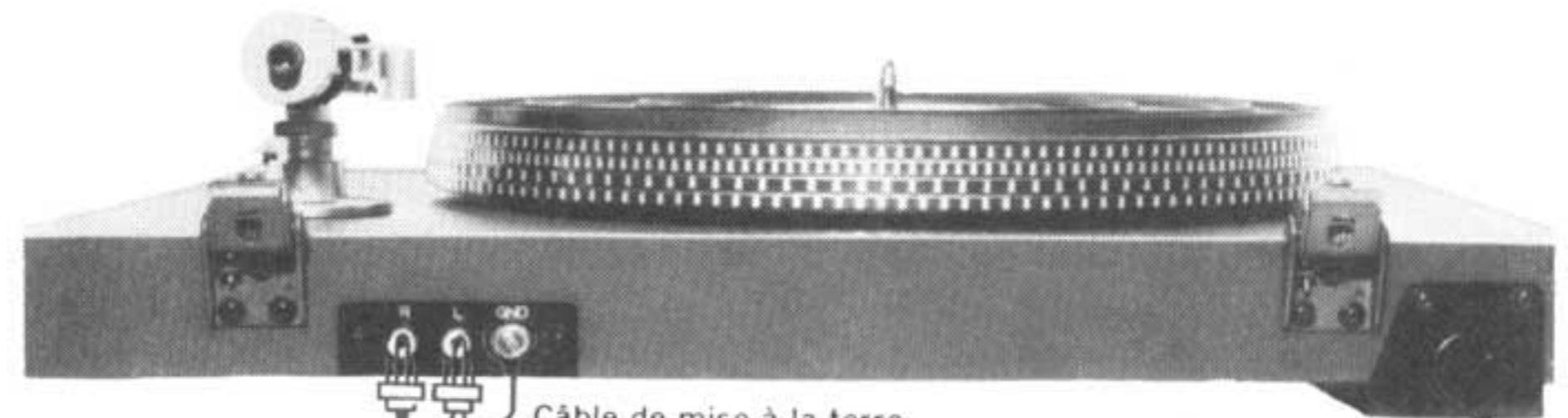
## Grounding

A third vinyl-coated cable runs along the output cable. This is the grounding cable to be connected between the turntable's "GND" terminal and the grounding terminal on your amplifier to prevent low-frequency hum.

The GND terminal on the turntable is connected with interior parts (tonearm, motorboard, etc.) and is separated electrically from the signal grounding. Therefore, please note that, when you use a cartridge other than the one supplied, there may be cases when you hear less hum with the grounding cable unconnected.

## 45rpm record adaptor

Take care not to lose the supplied 45rpm (EP) record adaptor when not in use.



Prise de cour. alt.  
Steckdose  
AC outlet



Adaptateur de disque à 45 t/mn  
Adapter für 45 er Schallplatten  
45 rpm record adaptor



# OPERATION

## Cautions prior to record play

- \* Check that stylus pressure, inside force and other adjustments have been properly made.
- \* Pay special attention when handling the turntable and your records. Rough handling may result not only in shortened life of the turntable but also in severe record damage.

## Handling the record

- \* Do not touch the surface, especially the grooves, of any records.
- \* Dust and dirt on the record surface are major causes of irritating noise. Clean each record's surface carefully with a quality record cleaner before playing.
- \* Spray-type record cleaning liquids or anti-static liquid, when overused, may cause tonal deterioration. You are advised therefore to carefully read the notes attached to such products before using them.
- \* Do not store your records other than in vertical positions.
- \* Avoid exposing records to excessive humidity or to direct sunlight.

## Speed change

1. Turn the speed selector lever for 33 or 45, depending on the speed of the record you are about to play.
2. You can fine-adjust the speed with your unit. Refer to the explanation of the four rows of strobo markings on the periphery of the platter in the accompanying photograph. Observe the strobo parking pattern corresponding to the speed of the record (33 or 45rpm) and the power supply frequency (50Hz or 60Hz) of your area, and turn the fine speed adjustment control (33 or 45rpm) until the related strobo marking pattern appears to be stationary.

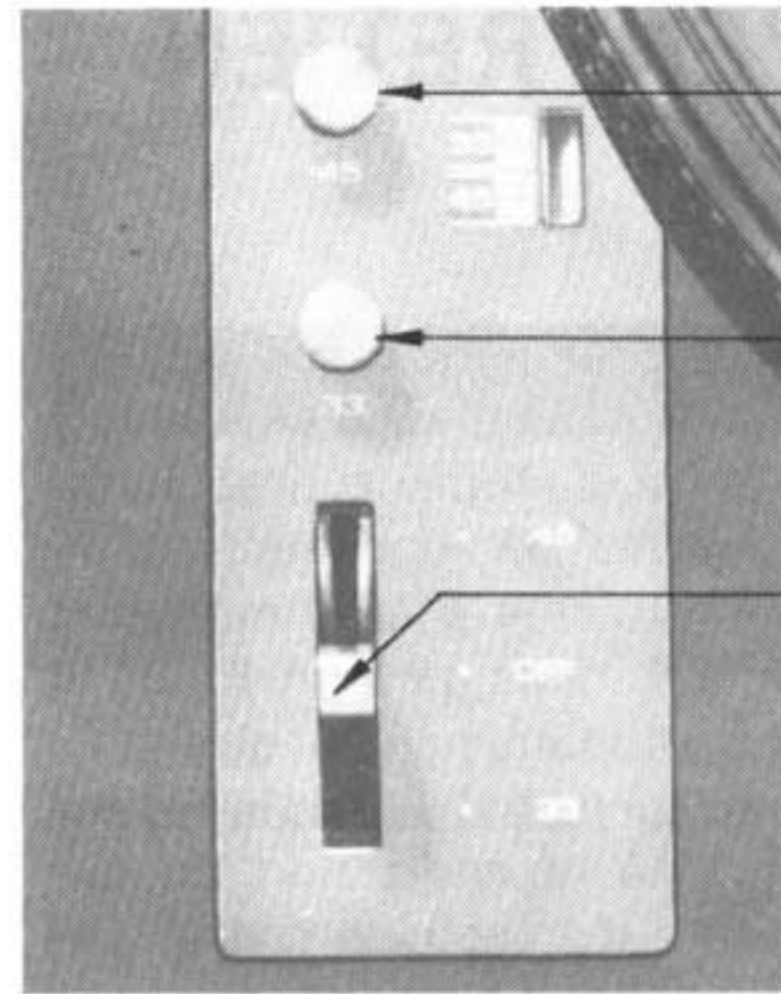
## Playing a record

Place the record of your choice on the platter first and then undertake the following operations.

1. Turn the speed selector lever for 33 or 45, depending on the speed of the record you are about to play. Then the platter starts rotating.
2. Remove the tonearm from its rest and move it so that the stylus is directly above the selection on the record you wish to hear.
3. Pull the arm lifter lever gently toward you. Then the tonearm will descend on the platter surface and start play.
4. Adjust the controls on your amplifier or receiver to obtain the tone and volume to your taste.

## Stopping record play

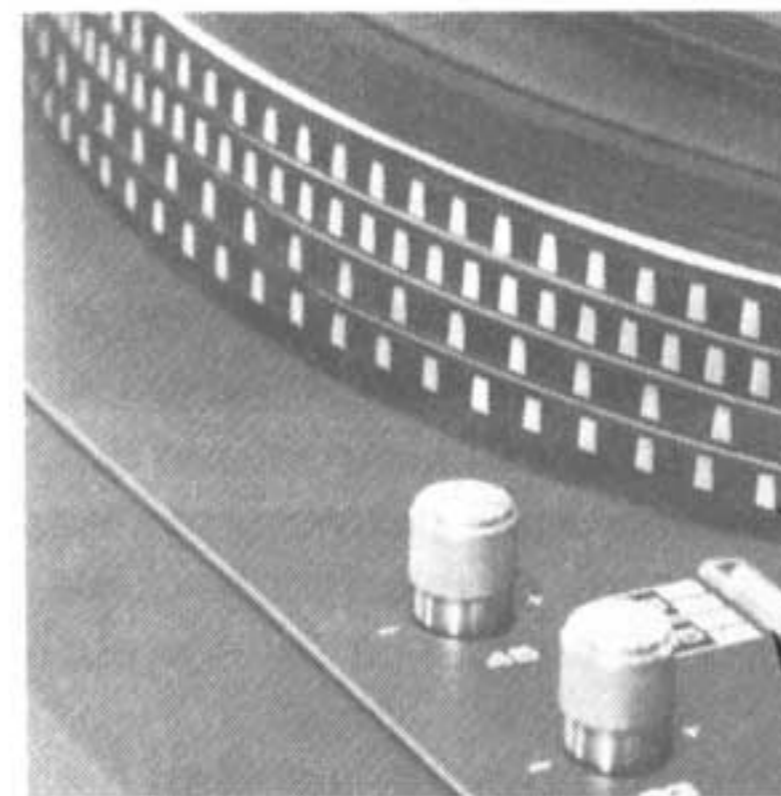
To skip a portion in the record on the platter, pull the arm lifter lever, move the tonearm to the portion you want to play and then pull the arm lifter lever. To stop record play, pull the arm lifter lever, return the tonearm to its rest and turn the speed selector lever to the OFF position.



Bouton de réglage fin de vitesse à 45 t/mn  
Feinregler für 45 U/min.  
45rpm fine speed adj. control

Bouton de réglage fin de vitesse à 33 t/mn  
Feinregler für 33 U/min.  
33rpm fine speed adj. control

Levier sélecteur de vitesse  
Drehzahlwahlhebel  
Speed selector lever



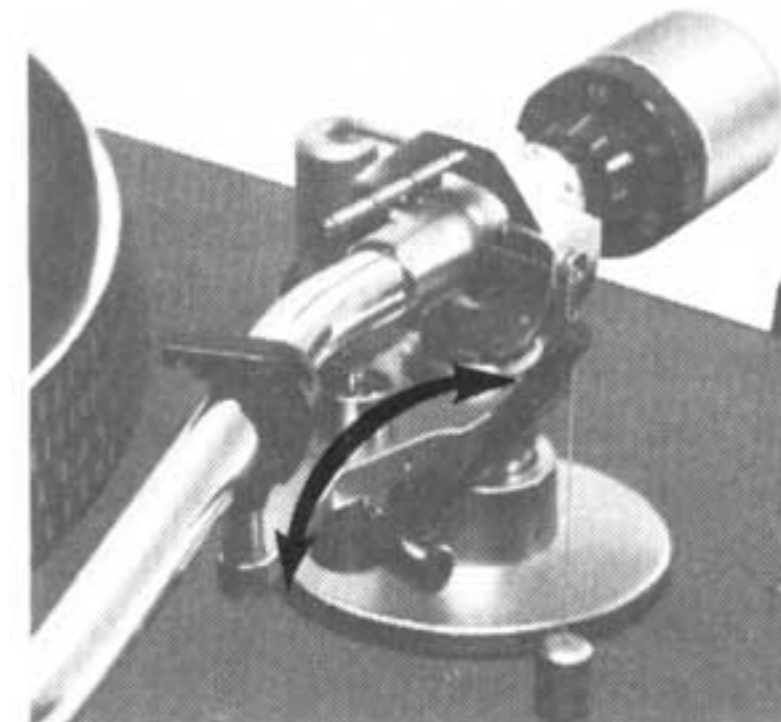
33 t/mn, 50 Hz  
33 U/min., 50 Hz  
33rpm, 50Hz

33 t/mn, 60 Hz  
33 U/min., 60 Hz  
33rpm, 60Hz

45 t/mn, 50 Hz  
45 U/min., 50 Hz  
45rpm, 50Hz

45 t/mn, 60 Hz  
45 U/min., 60 Hz  
45rpm, 60Hz

Stroboscope  
Stroboskop  
Strobo



Levier de lève-bras acoustique  
Armheberhebel  
Arm lifter lever

# SIMPLE MAINTENANCE HINTS

## Stylus wear

A diamond-tipped stylus (Sansui SN-27), supplied with your turntable, will provide about 500 to 800 hours of high fidelity record playback.

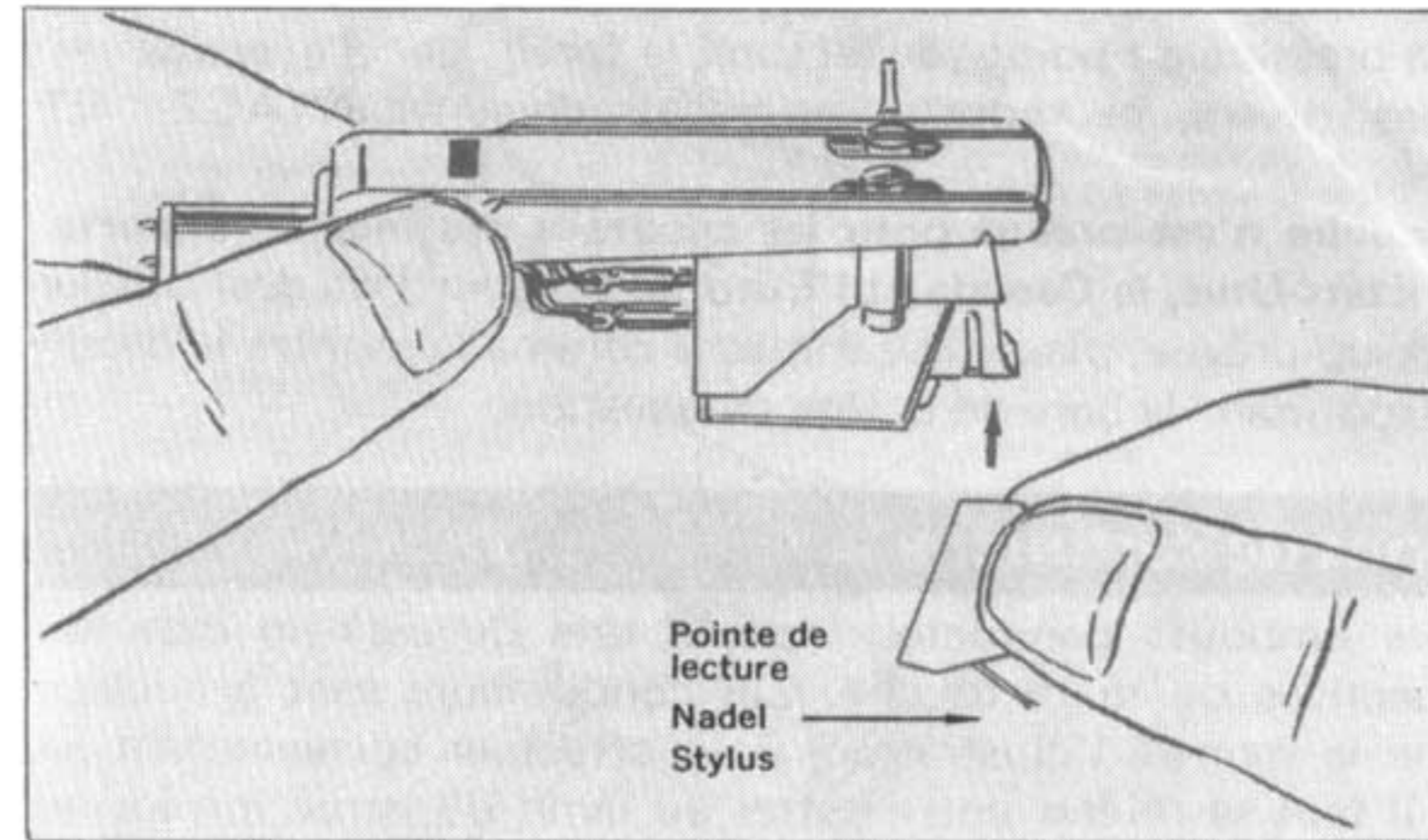
A worn stylus, however, will cause distorted, shallow, or crackling sounds. (Note also that the same phenomenon occurs when dirt and dust is allowed to accumulate on the record surface or to the stylus tip.) If you have found that unpleasant reproduction is traceable to a worn stylus (and not to a worn record, faulty amplifier, etc.), replace it. A replacement stylus is available from the nearest Authorized Sansui Service Station or from the Sansui dealer from whom you have purchased your turntable. Be sure to specify the model "SN-27" Sansui replacement stylus.

## Platter revolution

The platter of your unit is driven by an electronic motor which is controlled precisely by an electronic circuit for accurate speeds. It is unnecessary to adjust the unit in any way if you move to an area where the AC power frequency differs from that in your present area.

The on-off frequency of the stroboscope neon lamp is synchronized automatically with the frequency of the supplied AC power. A slight fluctuation in power frequency may therefore cause the strobe calibrations on the edge of the platter to "creep" forward or backward, which normally poses no serious problem. However, if the calibrations continue to appear to move in either direction excessively (two or more calibrations per 10-second period), adjust the pitch (or speed) of the

platter with the fine speed adjustment controls. It is possible that the speed does not stabilize within 30 seconds after switching on or fine speed adjustment. In this case confirm the speed after several minutes and readjust as required.



## Cartridge exchange

When mounting a cartridge or headshell different from the one supplied, you must make proper cartridge connections and overhang adjustments. For tonearm horizontal balance, tracking-force, skating force and other adjustments, refer to the section "SET-UP AND CONNECTIONS."

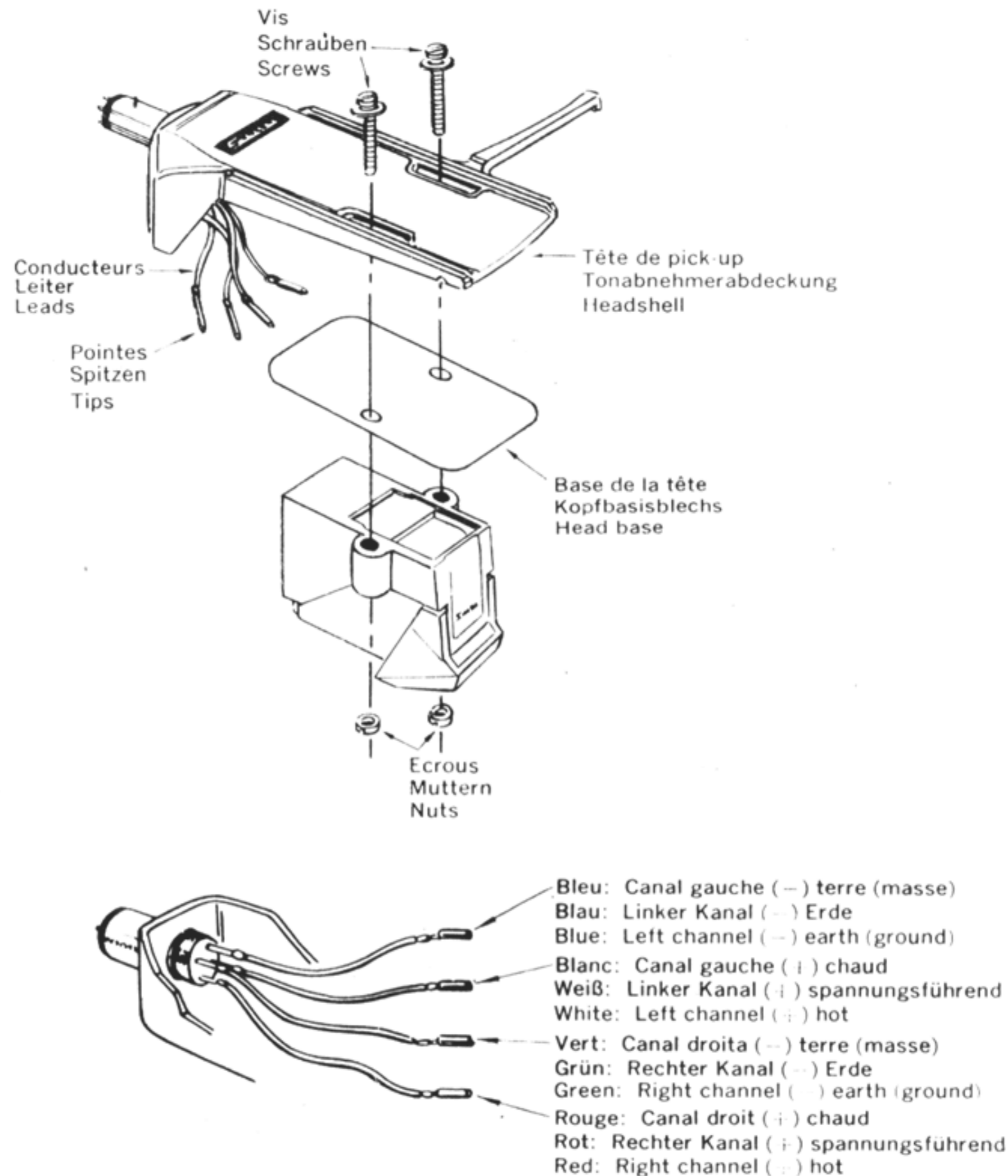
**cartridge is provided for units for export to the USA, Canada and Europe.** When the provided headshell is to be used, install the cartridge as shown in the drawing on the right, inserting the provided head base.

## Cartridge connections

Connect the leads of the head shell to their respective pin plugs in the cartridge. The leads are color-coded as shown in the illustration. For correct connections, you should also refer to the instruction book supplied with the cartridge. Mount the cartridge on the head shell and fix it loosely with the nuts and screws.

## Arm lifter descent time

When you use your unit after a long period of disuse, the arm lifter mechanism may tend to lower the tonearm more slowly than usual. This may also occur in periods of temperature change, such as in the changes of seasons. It will correct itself in time, and you may wish to aid the descent of the tonearm with a light touch of your finger until it does.



## Overhang adjustments

Overhang itself is the distance from the center of the motor spindle to the stylus tip when the tonearm is closest to the center spindle and is indicated by L (17.5mm for the SR-525) in the accompanying illustration.

To make overhang adjustments, loosen the screws securing the cartridge gently from the head shell and slide it gently so that it conforms with correct overhang measurement.

The SR-525 is fitted with a gauge on the cartridge for overhang adjustments. When using the head shell supplied, determine the cartridge mounting position as shown in the illustration.

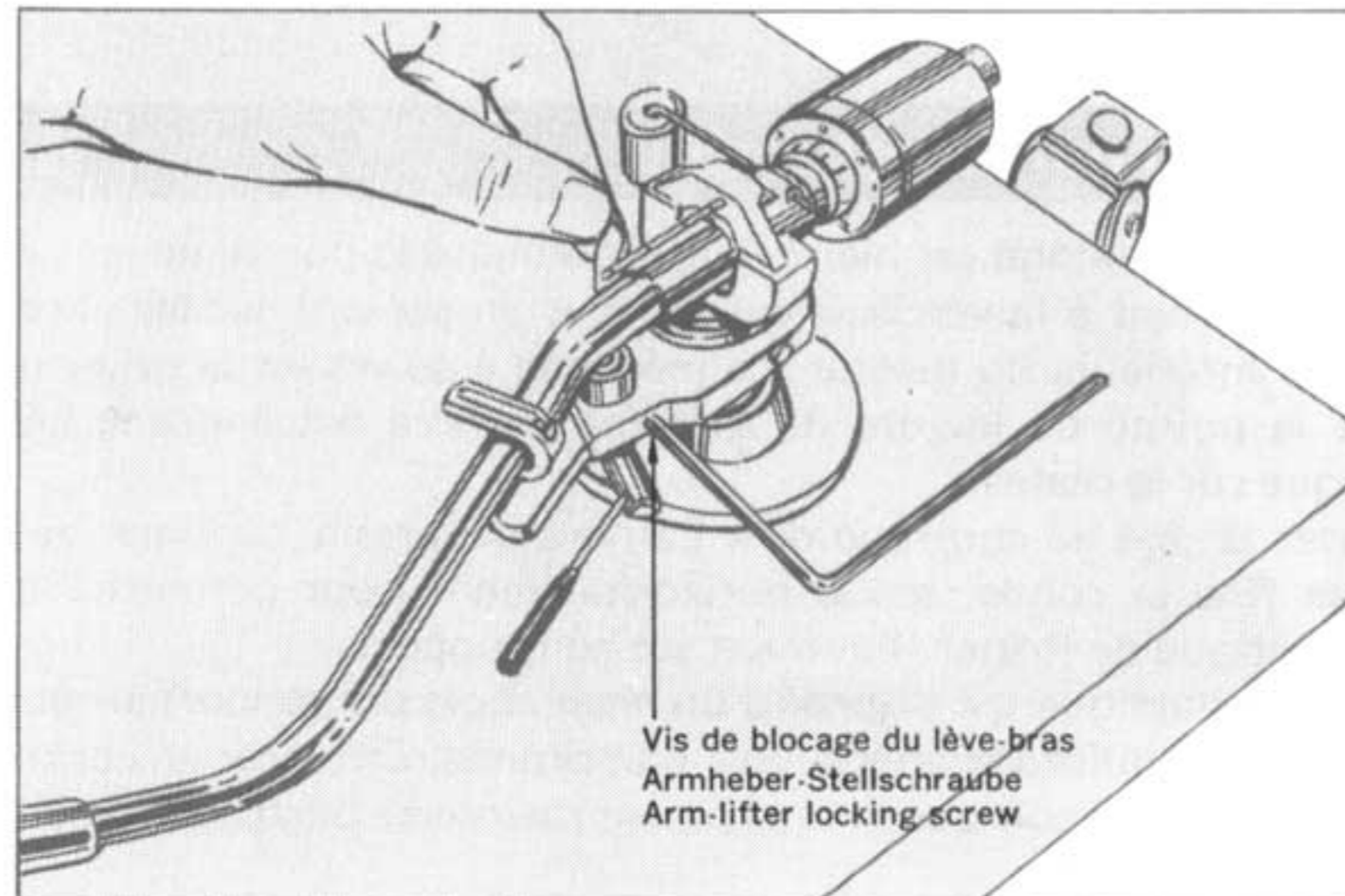
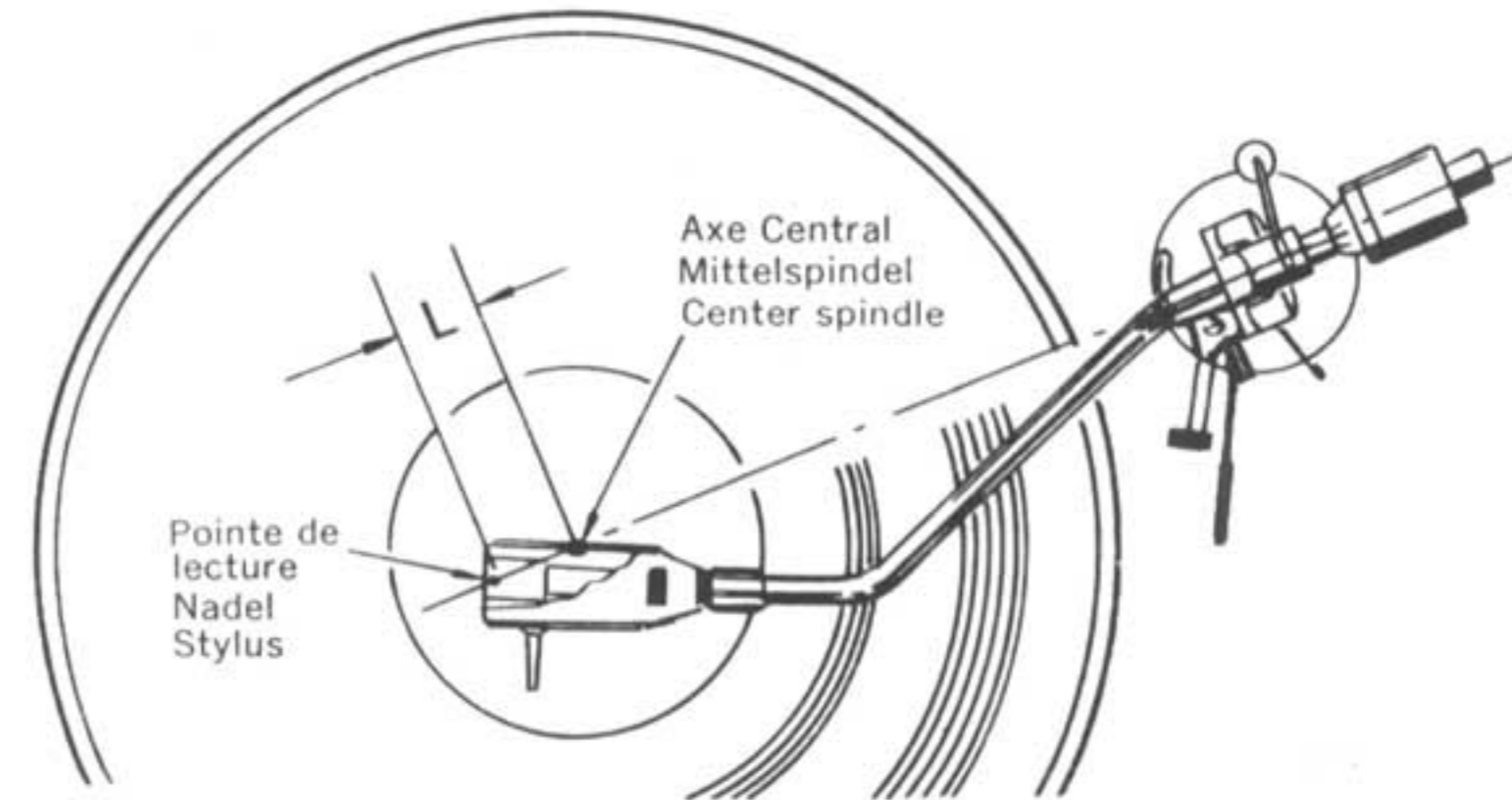
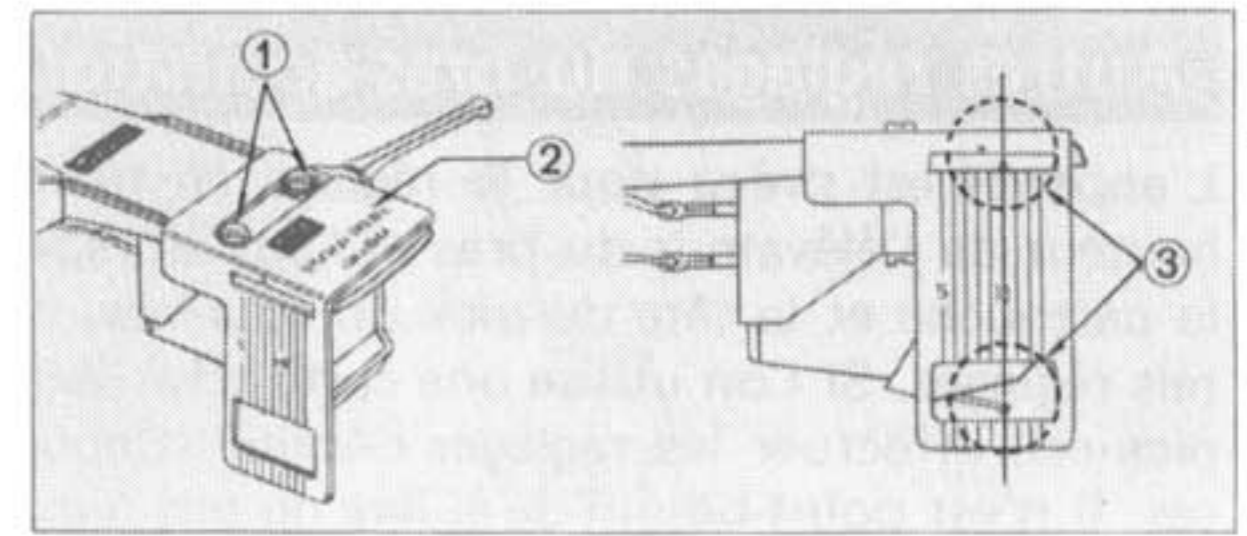
### How to use the cartridge mounting gauge:

1. Loosen screws.
  2. Fit the cartridge mounting gauge to the head shell.
  3. Align vertically the mark indicated on the head shell with the stylus tip: find the stripe printed on the gauge that runs above the stylus tip and then align that line with the mark on the head shell by sliding the cartridge with the gauge horizontally.
- When using the head shell supplied, determine the cartridge mounting position by the cartridge mounting gauge supplied. On the other hand, when using a head shell other than the one supplied, mount the cartridge so that "L" in the above illustration equals 17.5mm.

## Arm-lifter height adjustment

When the arm lifter is raised to its maximum height with the tonearm on it, the stylus tip should be about 1cm away from the surface of the record. If the height is excessively greater than this figure, loosen the screw locking the movable portion of the arm lifter, adjust the lifter to the proper height, and re-tighten the screw. After the arm-lifter height adjustment, play a record and confirm that the tonearm is not in contact with the arm lifter when the former is lowered for play.

Réglages d'enfoncement  
Überhangeinstellung  
Overhang adjustments



## Other tonearm adjustments

The unit has provisions for arm height adjustment, arm lifter height adjustment and lateral balancing. So long as you use the cartridge and head shell, supplied there's no need for such adjustments. When you use a new cartridge or a new head shell for the supplied one, undertake these adjustments. (However, in most cases, you need not to follow 1. adjustments, for they do not affect performance much.) The adjustments described below should be carried out only when the main weight is mounted and tracking-force adjustment completed detailed in the preceding paragraphs.

## Arm height adjustment

To obtain the optimum performance, the angle of the stylus to the horizontal plane must be about 14 degrees, which corresponds to the angle of a recording cutter to the horizontal plane. This angle is obtained when the tonearm is horizontal to the platter surface.

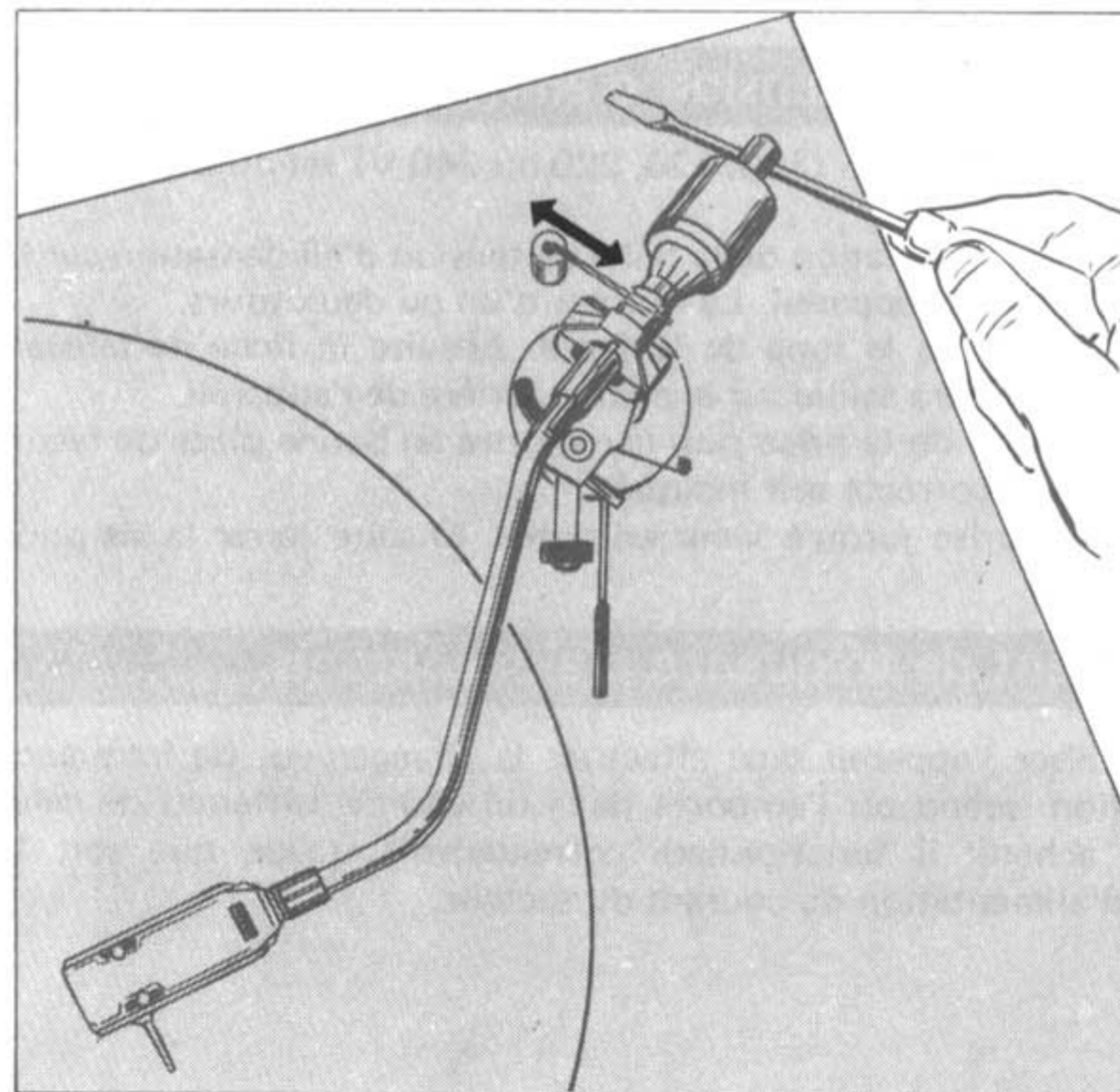
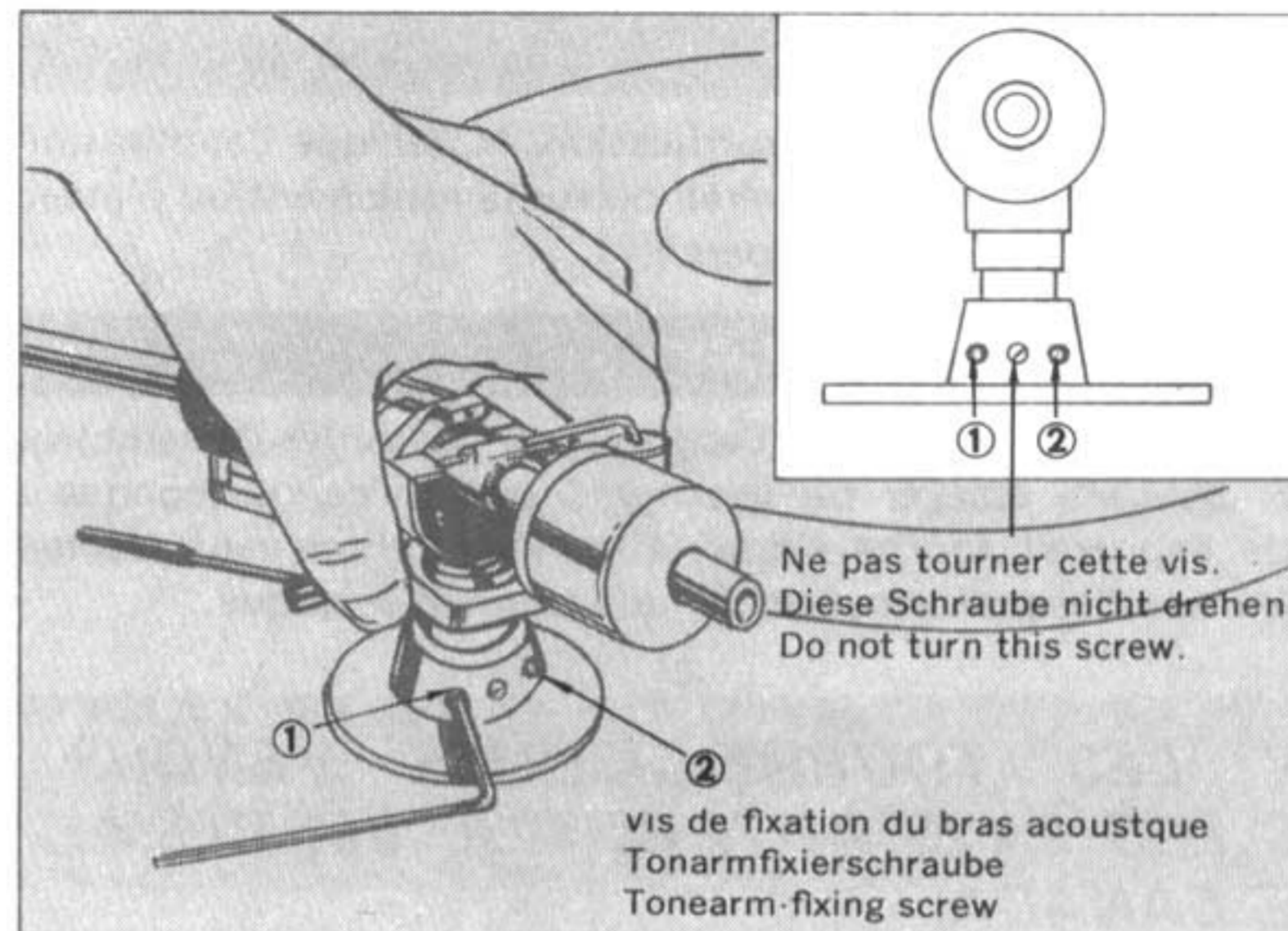
Procedures are: Supporting the tonearm, loosen the two fixing screws using the hexagonal wrench supplied (see the illustration at right) and adjust the tonearm height. After this adjustment, re-tighten the two fixing screws.

## Lateral balance adjustments

Lateral balance, when properly adjusted, permits the stylus to stay strictly vertical whether it's tracing outer grooves or inner grooves of the record. Procedures are as follows:

1. Remove the stylus from its holder and lower the tonearm on the platter.
2. Support the weight shaft at the rear of the tonearm with a thin, round stick, held horizontally to allow the tonearm to float free from its support.

the tonearm lies at a slight angle to the horizontal plane, the lateral balance is disturbed. Move the lateral weight, so that the arm may lie horizontal.



## Lubrication

Your unit requires no lubrication whatsoever. Note that application of oil to the unit's platter shaft or platter bearing may cause turntable breakdown.

## Turntable dismantling

Do not extract the unit's platter shaft or dismantle the motor assembly; NEVER try to touch any part inside the turntable unit. Such action may result in deterioration in performance or in mechanical breakdown.

**FOR TURNTABLES SOLD IN COUNTRIES  
OTHER THAN U.S. AND CANADA**

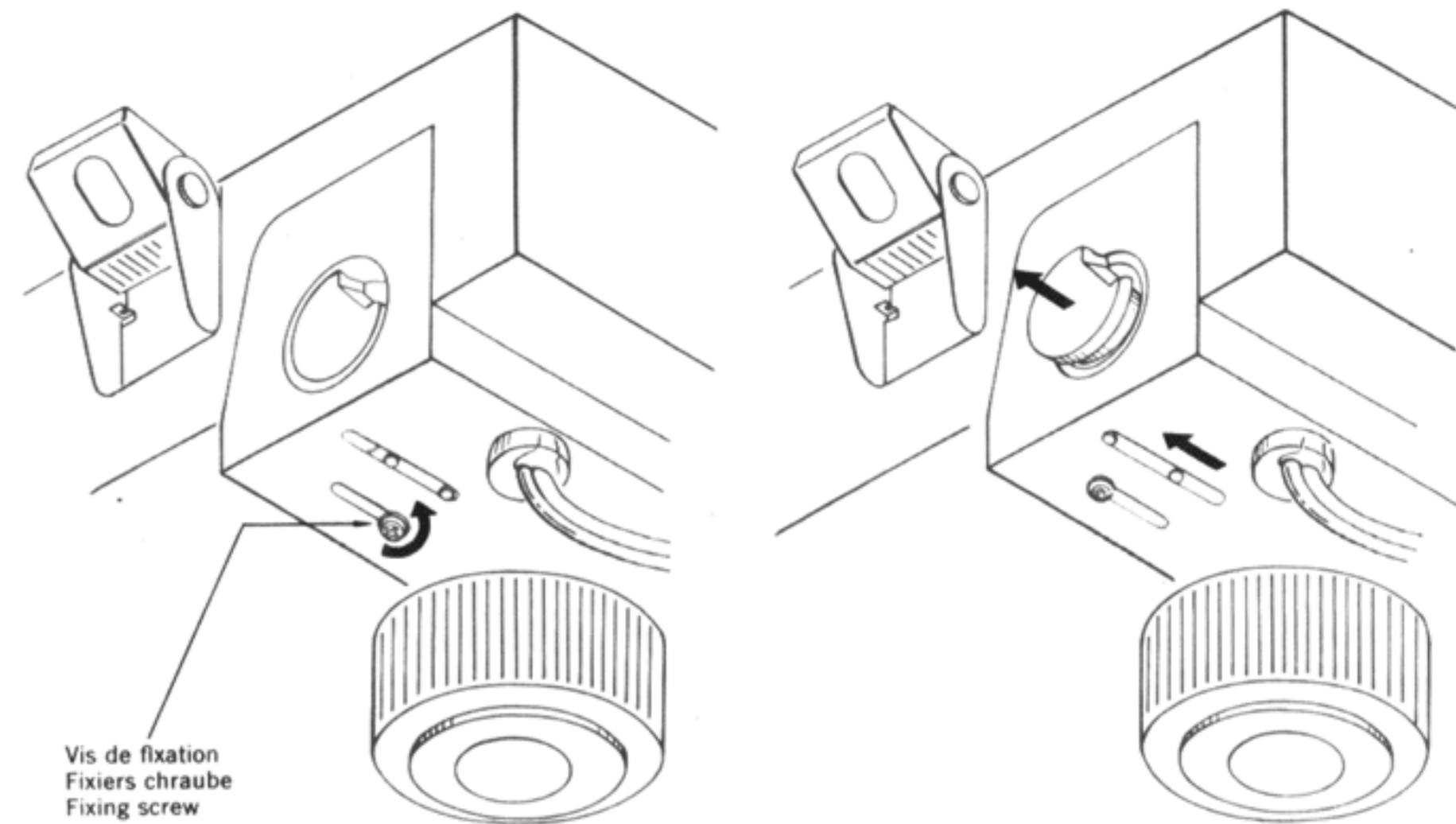
## Power voltage changeover

Voltage changeover (100, 120, 220 or 240V) is achieved as follows.

1. There's a screw fixing the power voltage plug on the unit's bottom board. Turn it one or two times.
2. Slide the screw along the slot. Then the power voltage plug will protrude from the surface of the unit's rear board.
3. Extract the plug out of the socket and re-plug it so that the new voltage is shown.
4. Push the socket in until it goes no further. Then tighten the screw to fix the socket.

## Power frequency changeover

You can use the unit without undertaking power frequency change over at a location other than the place you've purchased it; it operates irrespective of the power frequency of any particular area.



## ● SPECIFICATIONS

TYPE . . . . .	Deux vitesses commande directe
VITESSES . . . . .	33-1/3 et 45 t/mn
PORTEE DE REGLAGE PRECIS DE VITESSE . . . . .	±3,5%
PLATEAU . . . . .	En alliage d'aluminium moulé 31 cm de diamètre, 1,4 kg
MOTEUR . . . . .	20 pôles sans balais asservi à cour. cont.
PLEURAGE ET SCINTILLEMENT . . . . .	0,03% (valeur efficace pondérée)
RAPPORT S/B . . . . .	Meilleur que 60 dB
BRAS ACOUSTIQUE . . . . .	Tubulaire en forme de S équilibré statiquement.
LONGUEUR DU BRAS ACOUSTIQUE . . . . .	220 mm
ENFONCEMENT . . . . .	17,5 mm
POIDS DE LA CARTOUCHE CONVENABLE . . . . .	4 à 11 g
CARTOUCHE (Seulement pour les appareils achetés dans les pays autres que les U.S.A., le Canada et l'Europe.) . . . . .	Type à aimant mobile (Modèle SV-27A)
TENSION DE SORTIE . . . . .	3,5 mV (1.000 Hz, 50 mm/s)
IMPEDANCE OPTIMALE DE CHARGE . . . . .	47kΩ
REPONSE DE FREQUENCE . . . . .	10 Hz à 23 kHz
FORCE OPTIMUM SUR LE SILLON . . . . .	1,5 à 2 g
POINTE DE LECTURE . . . . .	Diamant, 0,5 mil (Modèle SN-27)
ALIMENTATION . . . . .	100, 120, 220, 240V (50/60Hz) 120 V (Utilisable entre 110-130V) 60 Hz (U.S.A. et Canada seulement)
CONSOMMATION DE PUISSANCE . . . . .	5 W (valeur nominale)
DIMENSIONS . . . . .	469 mm (L) x 150 mm (H) x 375 mm (P)
POIDS . . . . .	9,5 kg Net 11,2 kg Emballé

\* La présentation et les spécifications sont susceptibles d'être modifiées sans préavis par suite d'améliorations éventuelles.

## ● TECHNISCHE EINZELHEITEN

TYP . . . . .	Zwei Drehzahlen, Direktantrieb
DREHZAHLEN . . . . .	33 1/3 und 45 U/min.
DREHZAHLEFEINEINSTELLBEREICH . . . . .	±3,5%
PLATTENTELLER . . . . .	Aluminiumlegierungsformguß 31 cm Durchmesser, 1,4 kg
MOTOR . . . . .	20 Pole, bürstenloser Gleichstromservotyp
GLEICHLAUF SCHWANKUNGEN . . . . .	0,03% (effektiv)
SIGNAL-RAUSCHABSTAND . . . . .	Besser als 60 dB
TONARM . . . . .	Statisch balanciert, S-förmig, Rohrtyp
TONARMLÄNGE . . . . .	220 mm
ÜBERHANG . . . . .	17,5 mm
VERWENDBARES TONABNEHMERGEWICHT . . . . .	4 bis 11 g
TONABNEHMER (Nur für nicht in USA, Kanada und Europa verkaufte Geräte.) . . . . .	Drehmagnettyp (Modell SV-27A)
AUSGANGSSPANNUNG . . . . .	3,5 mV (1.000 Hz, 50 mm/sec.)
OPTIMALE LASTIMPEDANZ . . . . .	47 kΩ
FREQUENZGANG . . . . .	10 Hz bis 23 kHz
OPTIMALER NADELDRUCK . . . . .	1,5 bis 2,0 g
NADEL . . . . .	Diamant, 0,5 mil (Modell SN-27)
STROMVERSORGUNG . . . . .	100, 120, 220, 240V, 50/60 Hz 120V (verwendbar von 110 bis 130V) 60 Hz (nur für USA und Kanada)
STROMVERBRAUCH . . . . .	5W (Nennverbrauch)
ABMESSUNGEN . . . . .	469 mm Breite 150 mm Höhe 375 mm Tiefe
GEWICHT . . . . .	9,5 kg netto 11,2 kg brutto

\* Änderungen, die dem technischen Fortschritt dienen, bleiben vorbehalten.



## ● SPECIFICATIONS

TYPE . . . . .	Two-speed direct-drive
SPEEDS . . . . .	33-1/3 and 45rpm
FINE SPEED ADJUSTMENT	
RANGE . . . . .	±3.5%
PLATTER . . . . .	Aluminum alloy die-cast 31cm (12-1/4") diameter, 1.4kg (3.1 lbs.)
MOTOR . . . . .	20-pole brushless DC servo-type
WOW & FLUTTER . . . . .	less than 0.03% (W.R.M.S.)
S/N . . . . .	better than 60dB
TONARM . . . . .	Statically-balanced S-shaped tubular
TONARM LENGTH . . . . .	220mm (8-11/16")
OVERHANG . . . . .	17.5mm (3/4")
SUITABLE CARTRIDGE	
WEIGHT . . . . .	4 to 11g
CARTRIDGE (only for units purchased in areas other than U.S.A., Canada and Europe) . . . . .	Moving magnet-type (Model SV-27A)
OUTPUT VOLTAGE . . . . .	3.5mV (1,000Hz, 50mm/sec.)
OPTIMUM LOAD IMPEDANCE . . . . .	47kΩ
FREQUENCY RESPONSE . . . . .	10Hz to 23kHz
OPTIMUM TRACKING FORCE . . . . .	1.5 to 2.0g
STYLUS . . . . .	diamond, 0.5 mil (Model SN-27)
POWER REQUIREMENTS . . . . .	100, 120, 220, 240V, 50/60Hz 120V (Usable 110-130V), 60Hz (U.S.A. & Canada only)
POWER CONSUMPTION . . . . .	5W (rated)
DIMENSIONS . . . . .	
	469mm (18-1/2")
	150mm (5-15/16") H
	375mm (14-13/16") D
WEIGHT . . . . .	9.5kg (20.9 lbs.) Net 11.2kg (24.6 lbs.) Packed

\* Design and specifications subject to change without notice for improvements.



**SANSUI ELECTRIC CO., LTD.**

14-1, 2-chome, Izumi, Suginami-ku, Tokyo 168, Japan.  
TELEPHONE: (03) 323-1111/TELEX: 232-2076