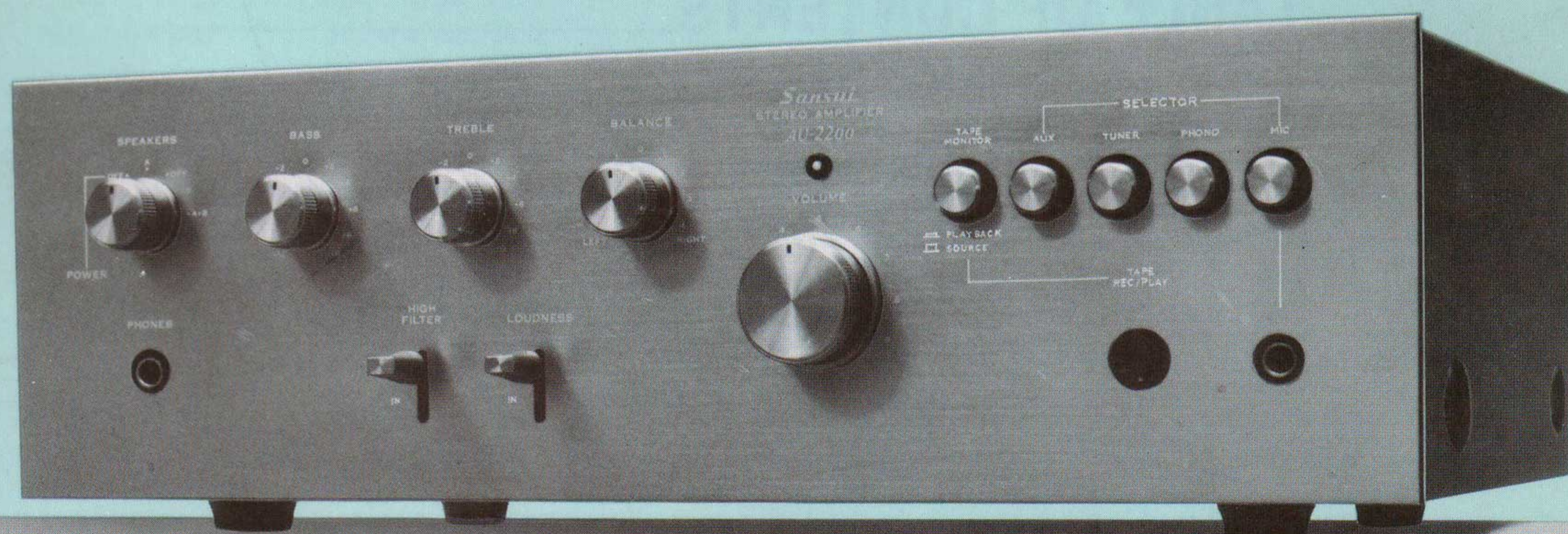


# SERVICE MANUAL

STEREO AMPLIFIER

**SANSUI AU-2200**



*Sansui*

SANSUI ELECTRIC CO., LTD.

This service manual is designed for service engineers to repair, adjust, maintain and order the replacement parts of the AU-2200 correctly. When ordering the parts, use the stock number and parts name specifically referring to the Parts Locations & Parts List. For general usage and maintenance of the unit, please refer to the Operating Instructions attached with the unit.

## TABLE OF CONTENTS

---

| <u>Section</u> | <u>Title</u>                                       | <u>Page</u> |
|----------------|--|-------------|
| <b>1.</b>      | <b>SPECIFICATIONS</b> .....                        | <b>2</b>    |
| <b>2.</b>      | <b>BLOCK DIAGRAM AND VALUE OF EACH LEVEL</b> ..... | <b>3</b>    |
| <b>3.</b>      | <b>TROUBLESHOOTING CHART</b> .....                 | <b>4</b>    |
| 3-1.           | Troubleshooting on Power supply Section .....      | 4           |
| 3-2.           | Troubleshooting on Audio Section .....             | 4           |
| <b>4.</b>      | <b>PARTS LOCATIONS AND PARTS LISTS</b> .....       | <b>5</b>    |
| 4-1.           | F-2400 Equalizer, Tone Control Circuit Board ..... | 5           |
| 4-2.           | F-2200 Main & Power Supply Circuit Board .....     | 6           |
| 4-3.           | F-2406 Selector Switch Circuit Board .....         | 6           |
| 4-4.           | F-2407 Volume Circuit Board .....                  | 7           |
| 4-5.           | F-2408 Accessory Circuit Board .....               | 7           |
| 4-6.           | Other Parts (Front Side) .....                     | 8           |
| 4-7.           | Other Parts (Top Side) .....                       | 9           |
| <b>5.</b>      | <b>SCHEMATIC DIAGRAM</b> .....                     | <b>10</b>   |
| <b>6.</b>      | <b>PACKING LIST</b> .....                          | back cover  |
| <b>7.</b>      | <b>ACCESSORY PARTS LIST</b> .....                  | back cover  |

# 1. SPECIFICATIONS

POWER OUTPUT (at rated distortion)  
 CONTINUOUS RMS POWER OUTPUT  
 ..... 10 Watts per channel × 2  
 (both channels driven)

LOAD IMPEDANCE ..... 8Ω

POWER BANDWISE ..... 40 to 20,000Hz

TOTAL HARMONIC DISTORTION  
 less than 0.8%  
 (from AUX input)

Music power (IHF) ..... 50W (4Ω 1,000Hz)  
 40W (8Ω 1,000Hz)

Continuous RMS power output .. 13+13W (8Ω 1,000Hz)

INTERMODULATION DISTORTION  
 (at rated power output, 70Hz: 7KHz = 4 : 1 SMPTE  
 method)

OVERALL (from AUX) .. less than 1.0%

FREQUENCY RESPONSE (at 1 Watt power output)  
 OVERALL (from AUX) .. 30 to 40,000Hz <sup>+1</sup>/<sub>-2</sub>dB

EQUALIZATION (at TAPE REC output)  
 ..... RIAA Curve  
 (30Hz~15KHz ±1dB)

DAMPING FACTOR ..... 30 (8Ω)

CHANNEL SEPARATION (1KHz at rated power output)  
 PHONO ..... better than 45dB  
 TUNER, AUX ..... better than 45dB

IHF HUM AND NOISE  
 PHONO ..... better than 65dB  
 MIC ..... better than 65dB  
 TUNER, AUX ..... better than 75dB  
 TAPE PLAY ..... better than 75dB

INPUT SENSITIVITY AND IMPEDANCE (1KHz for rated  
 power output)

PHONO ..... 2.5mV 50KΩ  
 (Max. input capability: 100mV at 0.5% distortion)

MIC ..... 2.5mV 10KΩ

TUNER, AUX ..... 150mV 50KΩ

TAPE RLY (Pin jack) .. 150mV 50KΩ

TAPE REC/PLAY (DIN socket)  
 ..... 150mV 50KΩ

RECORDING OUTPUT  
 TAPE REC (Pin jack) .... 150mV  
 TAPE REC/PLAY (DIN socket) .. 30mV

SWITCHES AND CONTROLS  
 BASS ..... +12dB, -12dB (50Hz)  
 TREBLE ..... +12dB, -12dB (20KHz)

LOUDNESS (volume control: -30dB)  
 ..... +10dB (50Hz)  
 +8dB (10KHz)

HIGH FILTER ..... -3dB (7KHz, 6dB/oct)

## OTHERS

### SEMICONDUCTORS

DIODES ..... 2  
 ZENER DIODES ..... 2  
 ICs ..... 6  
 LED (Light Emitted Diode) ..... 1

### POWER REQUIREMENTS

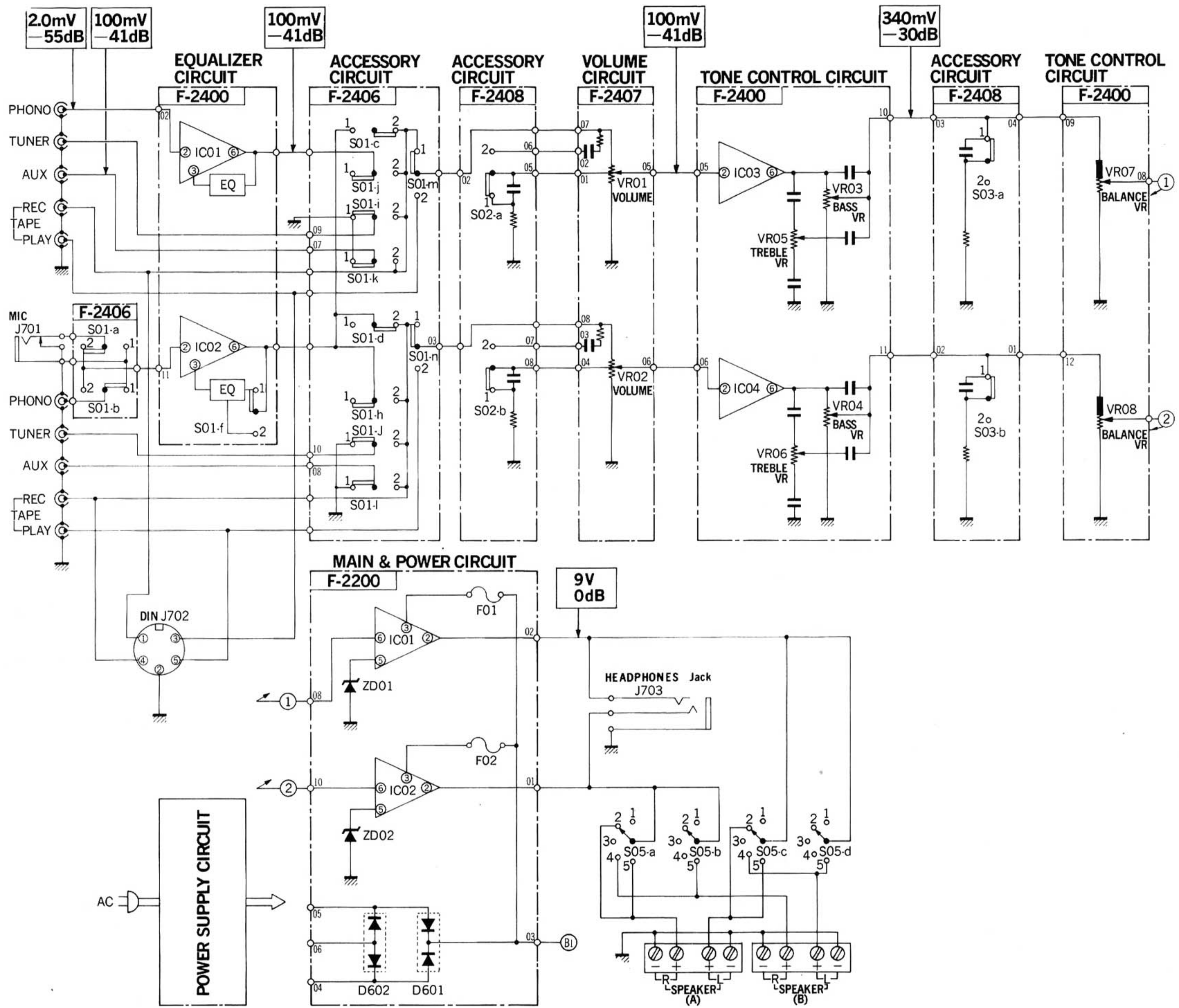
VOLTAGE ..... 100, 117, 220, 240V 50/60Hz  
 CONSUMPTION ..... 45W (rated), 86W (max.)

DIMENSIONS ..... 400mm (15<sup>3</sup>/<sub>4</sub>" ) W  
 120mm (4<sup>3</sup>/<sub>4</sub>" ) H  
 240mm (9<sup>1</sup>/<sub>2</sub>" ) D

WEIGHT ..... 5.5Kg (12.1 lbs) net  
 6.8Kg (15.0 lbs) packed

\* Design and specification subject to change without notice for improvements.

## 2. BLOCK DIAGRAM AND VALUE OF EACH LEVEL



- |                     |                          |                      |                         |                           |
|---------------------|--------------------------|----------------------|-------------------------|---------------------------|
| S01 (a~l): SELECTOR | S01 (m, n): TAPE MONITOR | S02 (a, b): LOUDNESS | S03 (a, b): HIGH FILTER | S05 (a~c): POWER SPEAKERS |
| 1. MIC (a~d)        | 1. SOURCE                | 1. OUT               | 1. OUT                  | 1. POWER OFF              |
| 2. PHONO (e~h)      | 2. PLAYBACK              | 2. IN                | 2. IN                   | 2. A                      |
| 3. TUNER (i~j)      |                          |                      |                         | 3. SPEAKER OFF            |
| 4. AUX (k, l)       |                          |                      |                         | 4. B                      |
|                     |                          |                      |                         | 5. A + B                  |

### Conditions of Level Measuring

※Value of each level in block diagram was measured by the followings.

1. MASTER VOLUME .....Maximum
2. BASS, TREBLE, BALANCE volume .....Center
3. Input .....PHONO 2.0mV 1kHz Sine Wave  
AUX 100mV 1kHz Sine Wave  
(output impedance of 600Ω at an audio oscillator)

4. Output ..... 9V (10W) 8Ω
- Note:** Each voltage value is for reference and measured by a VTVM. In some recorders, the actual voltage value is in minor difference from the reference value.

# 3. TROUBLESHOOTING CHART

## <Notices when servicing this unit>

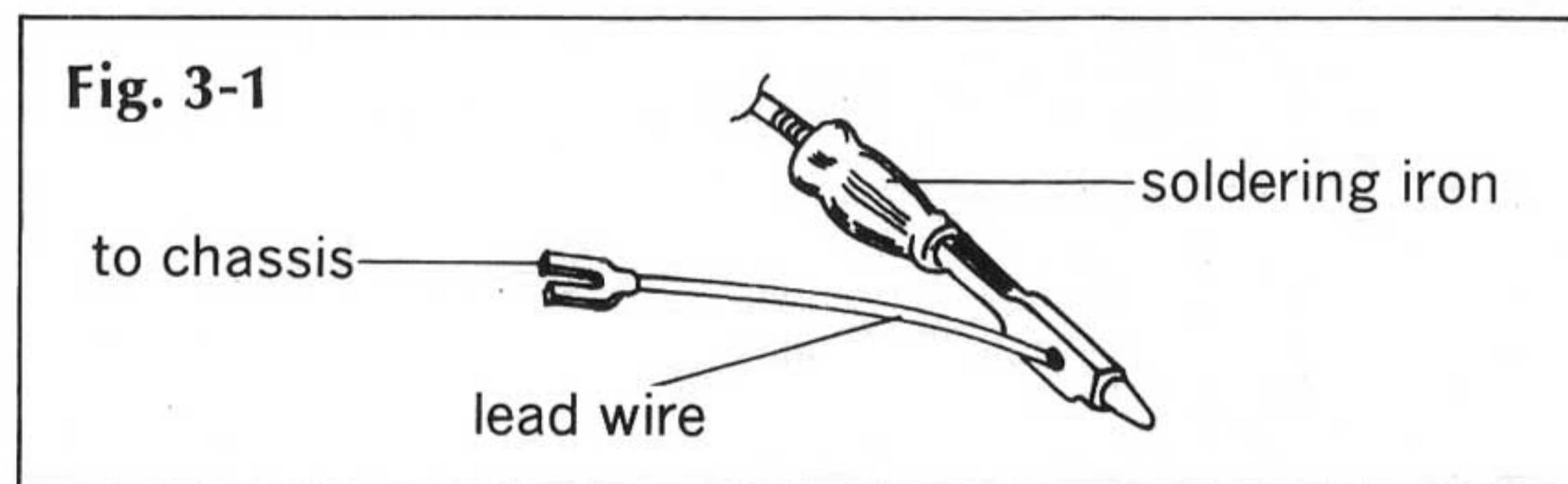
### oOn Light Emitted Diode (LED)

The LED used as Pilot Lamp driven by constant current has characteristics of extreme low reverse break-down voltage (DC 3V) and also it would be easily influenced by discharge voltage from capacitors in power amplifier section.

Therefore, after power switch is turned OFF and lapse of a few seconds, perform the replacement of LED.

### oNotice when replacing IC

- 1) Do not vent the leads of IC more than 3 times.
- 2) When using a soldering iron, IC should be absolutely isolated from current leakage of the iron. In order to protect IC against break-down, connect a lead wire from the iron to ground (chassis) as shown below. (Fig. 3-1)



3) As IC is extremely weak against heat; use a soldering iron as shorter as possible.

### oNotice after replacing power IC

After replacing power IC, check DC bias current (30mA ~ 50mA) on power amplifier section. If the value is under 30mA or over 50mA, the IC must be replaced again because it may be probably caused of troubles again.

| Symptom | Check Point | Cause & What to Do |
|---------|-------------|--------------------|
|---------|-------------|--------------------|

## 3-1. Troubleshooting on Power Supply Section

### 1. No power supplied to each section (Power lamp not light)

|   |  |
|---|--|
| 1-1. AC+30V not supplied to terminal [05] on F-2200 | 1. Imperfect contact of power supply plug<br>2. Defective power switch, S05e<br>3. Imperfect contact of voltage selector, PU701<br>4. Power fuse F701 open<br>5. Defective power transformer, T701 |
| 1-2. AC+30V supplied to terminal [05] on F-2200     |  |
| 1) +45.5V not supplied to terminal [03] on F-2200   | 6. Defective D601, D602 on F-2200  |
| 2) +45.5V supplied to terminal [03] on F-2200       | 7. Defective LED701  |

## 3-2. Troubleshooting on Audio Section

### 1. Quick acting fuse open

|   |                                    |
|---|------------------------------------|
| 1-1. After replacement, fuse open again         | 1. Defective IC01 (IC02) on F-2200 |
| 1) DC bias current is over 50mA                 |                                    |
| 1-2. After replacement, fuse not open           | 2. Defective IC01 (IC02) on F-2200 |
| 1) DC bias current is not between 30mA and 50mA |                                    |

### 2. AUX inoperative

|   |  |
|---|--|
| 2-1. +45.5V not supplied to terminal [03] on F-2400 | 3. Defective power supply section (F-2200)   |
| 2-2. +45.5V supplied to terminal [03] on F-2400     | 4. Imperfect contact of SELECTOR switch S01 (K, l)<br>5. Imperfect contact of TAPE MONITOR switch S01 (m, n)<br>6. Defective IC03 (IC04) on F-2400 |

### 3. PHONO inoperative

|                           |   |
|---------------------------|---|
|                           | 7. Imperfect contact of SELECTOR switch S01 (e~h)<br>8. Defective IC01 (IC02) on F-2400 |
| 3-1. Excessive Distortion | 9. Imperfect contact of SELECTOR switch S01 (f)   |

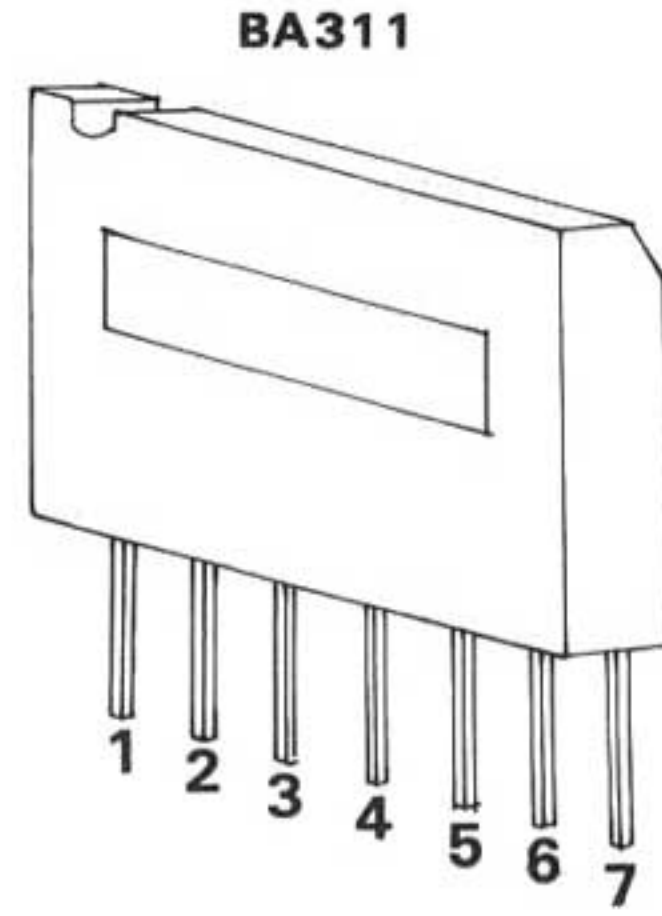
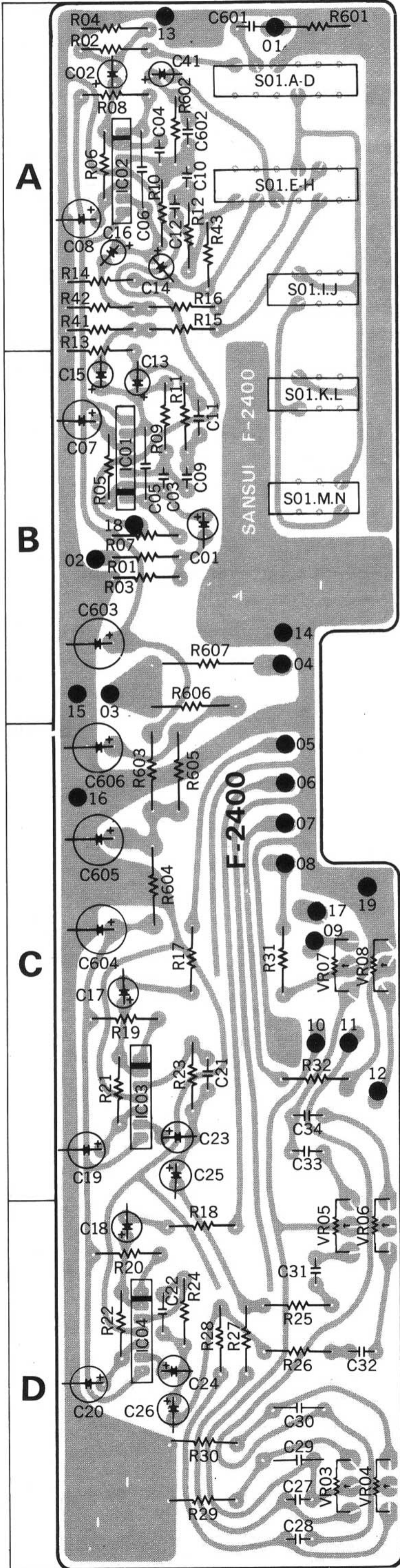
### 4. MIC inoperative

|  |   |
|--|---|
|  | 10. Imperfect contact of SELECTOR switch S01 (a~l)<br>11. Imperfect contact of MIC Jack |
|--|---|

# 4. PARTS LOCATIONS AND PARTS LISTS

## 4-1. F-2400 Equalizer, Tone Control Circuit Board (Stock No. 7560800 Complete Circuit Board F-2400)

### Conductor Side

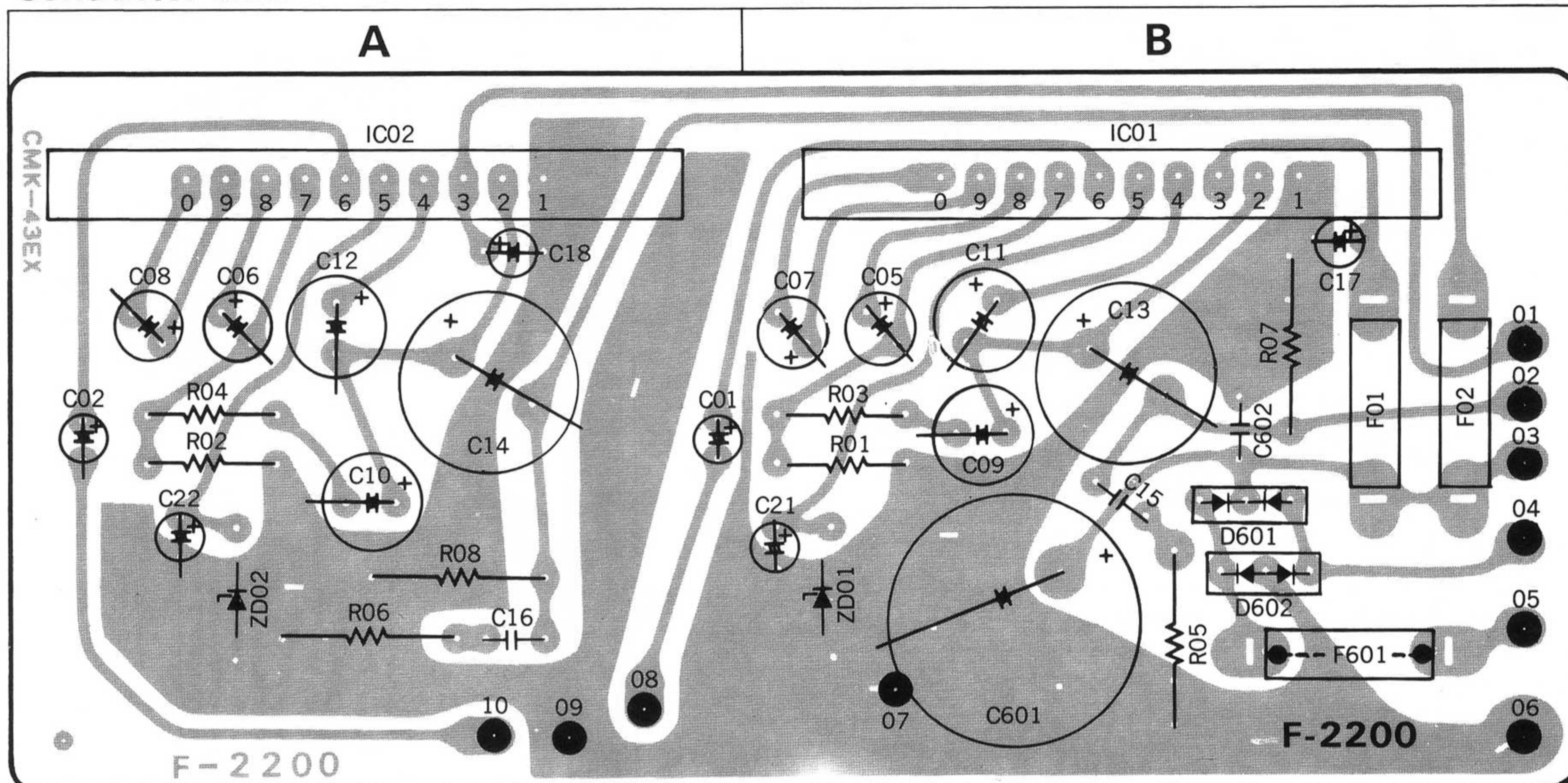


### Parts List

| Parts No. | Stock No.  | Description                   | Position              |
|-----------|------------|-------------------------------|-----------------------|
| IC01, 02  | 0360171, 2 | BA311(E, F)                   | IC } B. A<br>C. D     |
| IC03, 04  | 0360181, 2 | BA311(S)(E, F)                |                       |
| C01, 02   | 0515339    | 3.3 $\mu$ F 50V E.C.          | A. B                  |
| C03, 04   | 0660470    | 47pF 50V C.C.                 | B. A                  |
| C05, 06   | 0660101    | 100pF 50V C.C.                | B. A                  |
| C07, 08   | 0511330    | 33 $\mu$ F 10V E.C.           | B. A                  |
| C09, 10   | 0600187    | 0.018 $\mu$ F 50V M.C.        | B. A                  |
| C11, 12   | 0600566    | 0.0056 $\mu$ F 50V M.C.       | B. A                  |
| C13, 14   | 0513100    | 10 $\mu$ F 25V E.C.           | B. A                  |
| C15, 16   | 0519103    | 0.47 $\mu$ F 50V E.C.         | B. A                  |
| C17, 18   | 0515339    | 3.3 $\mu$ F 50V E.C.          | C. D                  |
| C19, 20   | 0510101    | 100 $\mu$ F 6.3V E.C.         | C. D                  |
| C21, 22   | 0660470    | 47pF 50V C.C.                 | C. D                  |
| C23, 24   | 0513100    | 10 $\mu$ F 25V E.C.           | C. D                  |
| C25, 26   | 0515109    | 1 $\mu$ F 50V E.C.            | C. D                  |
| C27, 28   | 0601277    | 0.027 $\mu$ F 50V M.C.        | D                     |
| C29, 30   | 0601228    | 0.22 $\mu$ F 50V M.C.         | D                     |
| C31, 32   | 0601476    | 0.0047 $\mu$ F 50V M.C.       | D                     |
| C33, 34   | 0601477    | 0.047 $\mu$ F 50V M.C.        | C                     |
| C41       | 0515109    | 1 $\mu$ F 50V E.C.            | A                     |
| C601      | 0601687    | 0.068 $\mu$ F 50V M.C.        | A                     |
| C602      | 0660221    | 220pF 50V C.C.                | A                     |
| C603      | 0515221    | 220 $\mu$ F 50V E.C.          | B                     |
| C604      | 0515101    | 100 $\mu$ F 50V E.C.          | C                     |
| C605      | 0515221    | 220 $\mu$ F 50V E.C.          | C                     |
| C606      | 0515101    | 100 $\mu$ F 50V E.C.          | C                     |
| C901      | 0660100    | 10pF 50V C.C.                 |                       |
| C902      | 0660100    | 10pF 50V C.C.                 |                       |
| R01, 02   | 0107222    | 2.2k $\Omega$                 | B. A                  |
| R03, 04   | 0107104    | 100k $\Omega$                 |                       |
| R05, 06   | 0107104    | 100k $\Omega$                 | B. A                  |
| R07, 08   | 0107684    | 680k $\Omega$                 | B. A                  |
| R09, 10   | 0107154    | 150k $\Omega$                 | B. A                  |
| R11, 12   | 0107123    | 12k $\Omega$                  | B. A                  |
| R13, 14   | 0107473    | 47k $\Omega$                  | A                     |
| R15, 16   | 0107221    | 220 $\Omega$                  | A                     |
| R17, 18   | 0107222    | 2.2k $\Omega$                 | C. D                  |
| R19, 20   | 0107684    | 680k $\Omega$                 | 1/4W C.R.             |
| R21, 22   | 0107104    | 100k $\Omega$                 |                       |
| R23, 24   | 0107822    | 8.2k $\Omega$                 | C. D                  |
| R25, 26   | 0107102    | 1k $\Omega$                   | D                     |
| R27, 28   | 0107123    | 12k $\Omega$                  | D                     |
| R29, 30   | 0107122    | 1.2k $\Omega$                 | D                     |
| R31, 32   | 0107222    | 22k $\Omega$                  | C                     |
| R41, 42   | 0107563    | 56k $\Omega$                  | A                     |
| R43       | 0107105    | 1M $\Omega$                   | A                     |
| R601      | 0107123    | 12k $\Omega$                  | A                     |
| R602      | 0107153    | 15k $\Omega$                  | A                     |
| R603      | 0103471    | 470 $\Omega$                  | 1/2W C.R.             |
| R604      | 0103101    | 100 $\Omega$                  |                       |
| R605      | 0103471    | 470 $\Omega$                  |                       |
| R606      | 0103471    | 470 $\Omega$                  | B                     |
| R607      | 0162332    | 3.3k $\Omega$ 2W C.R.         | B                     |
| VR03, 04  | 1015080, 1 | 100k $\Omega$ (A) $\times$ 2  | Variable Resistor } D |
| VR05, 06  | 1015080, 1 | 100k $\Omega$ (A) $\times$ 2  |                       |
| VR07, 08  | 1015070, 1 | 100k $\Omega$ (MN) $\times$ 2 |                       |
| S01(a~n)  | 1130860    | SUB54 Push Switch (5 Stage)   | A, B                  |

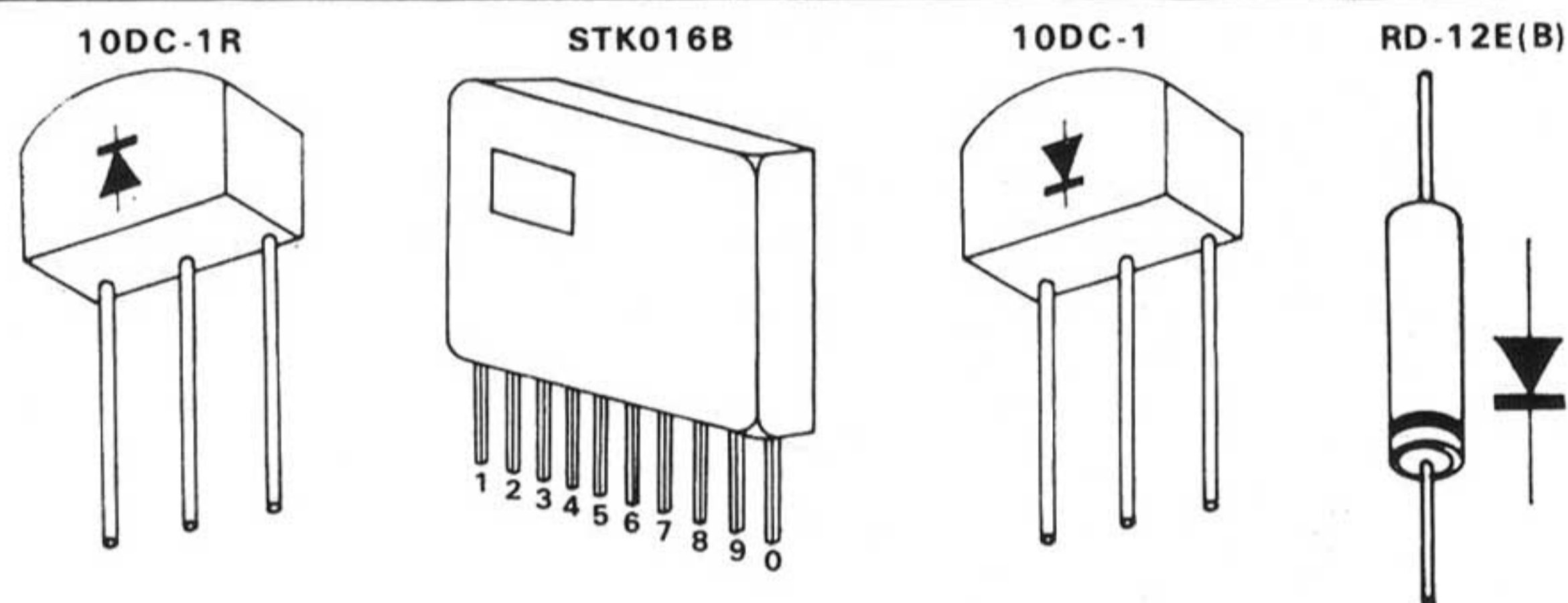
### 4-2. F-2200 Main & Power Supply Circuit Board (Stock No. 7570890 Complete Circuit Board F-2200)

#### Conductor Side



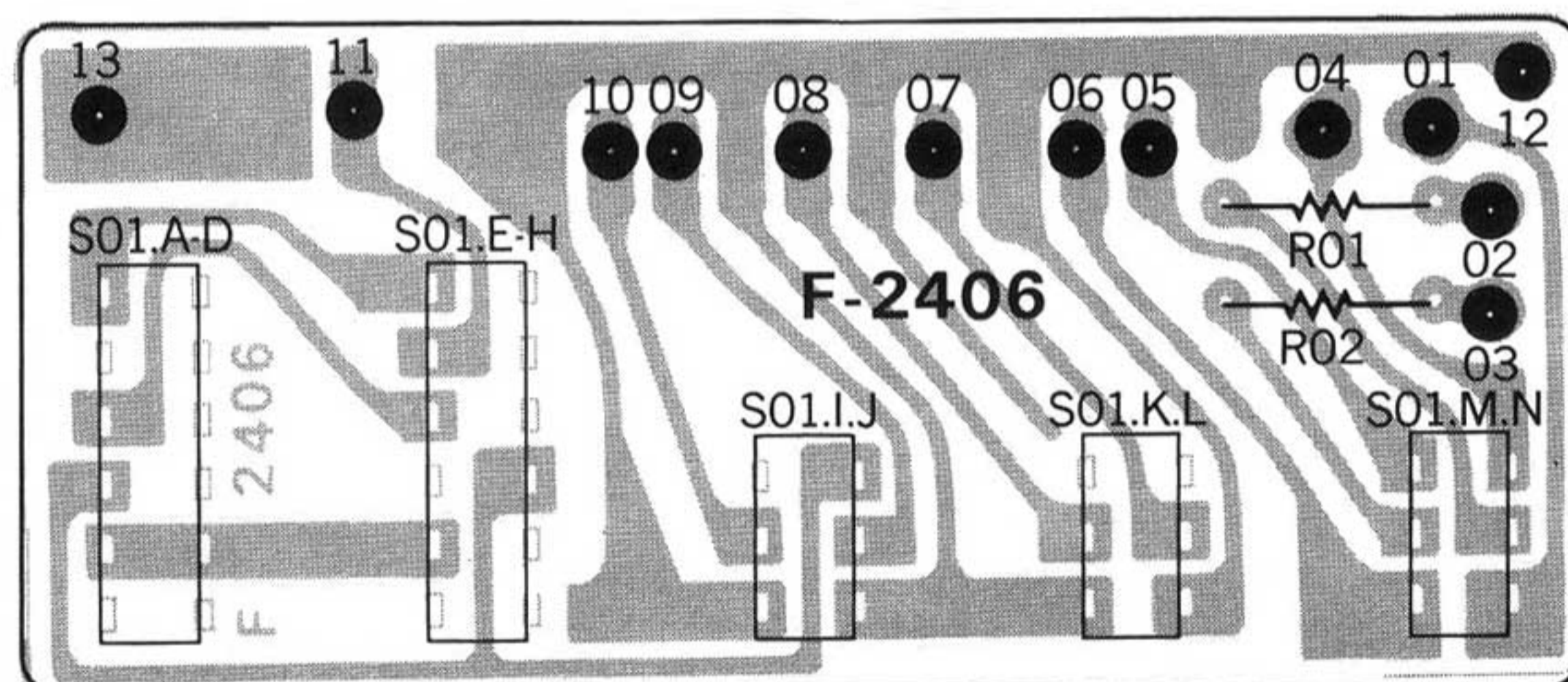
#### Parts List

| Parts No. | Stock No. | Description                        | Position |
|-----------|-----------|------------------------------------|----------|
| IC01, 02  | 0360130   | STK-016B IC                        | B . A    |
| D601      | 0310680   | 10DC-1                             | } Diode  |
| D602      | 0310670   | 10DC-1R                            |          |
| ZD01, 02  | 0316290   | RD-12E(B) Zener Diode              | B . A    |
| C01, 02   | 0515109   | 1 $\mu$ F 50V E.C.                 | A . A    |
| C05, 06   | 0510470   | 47 $\mu$ F 6.3V E.C.               | B . A    |
| C07, 08   | 0512330   | 33 $\mu$ F 16V E.C.                | B . A    |
| C09, 10   | 0515330   | 33 $\mu$ F 50V E.C.                | B . A    |
| C11, 12   | 0513470   | 47 $\mu$ F 25V E.C.                | B . A    |
| C13, 14   | 0514102   | 1,000 $\mu$ F 35V E.C.             | B . A    |
| C15, 16   | 0601477   | 0.047 $\mu$ F 50V M.C.             | B . A    |
| C17, 18   | 0515339   | 3.3 $\mu$ F 50V E.C.               | B . A    |
| C21, 22   | 0515109   | 1 $\mu$ F 50V E.C.                 | B . A    |
| C601      | 0549107   | 1,500 $\mu$ F 50V E.C.             | B        |
| C602      | 0652103   | 0.01 $\mu$ F 50V C.C.              |          |
| R01, 02   | 0107470   | 47 $\Omega$ } $\frac{1}{4}$ W C.R. | B . A    |
| R03, 04   | 0107152   | 1.5k $\Omega$ }                    |          |
| R05, 06   | 0103100   | 10 $\Omega$ } $\frac{1}{2}$ W C.R. | B . A    |
| R07, 08   | 0103221   | 220 $\Omega$ }                     |          |
| F01, 02   | 0433610   | 2A Quick Acting Fuse               | B        |
|           | 5937040   | Heat Sink                          |          |



### 4-3. F-2406 Selector Switch Circuit Board

#### Conductor Side



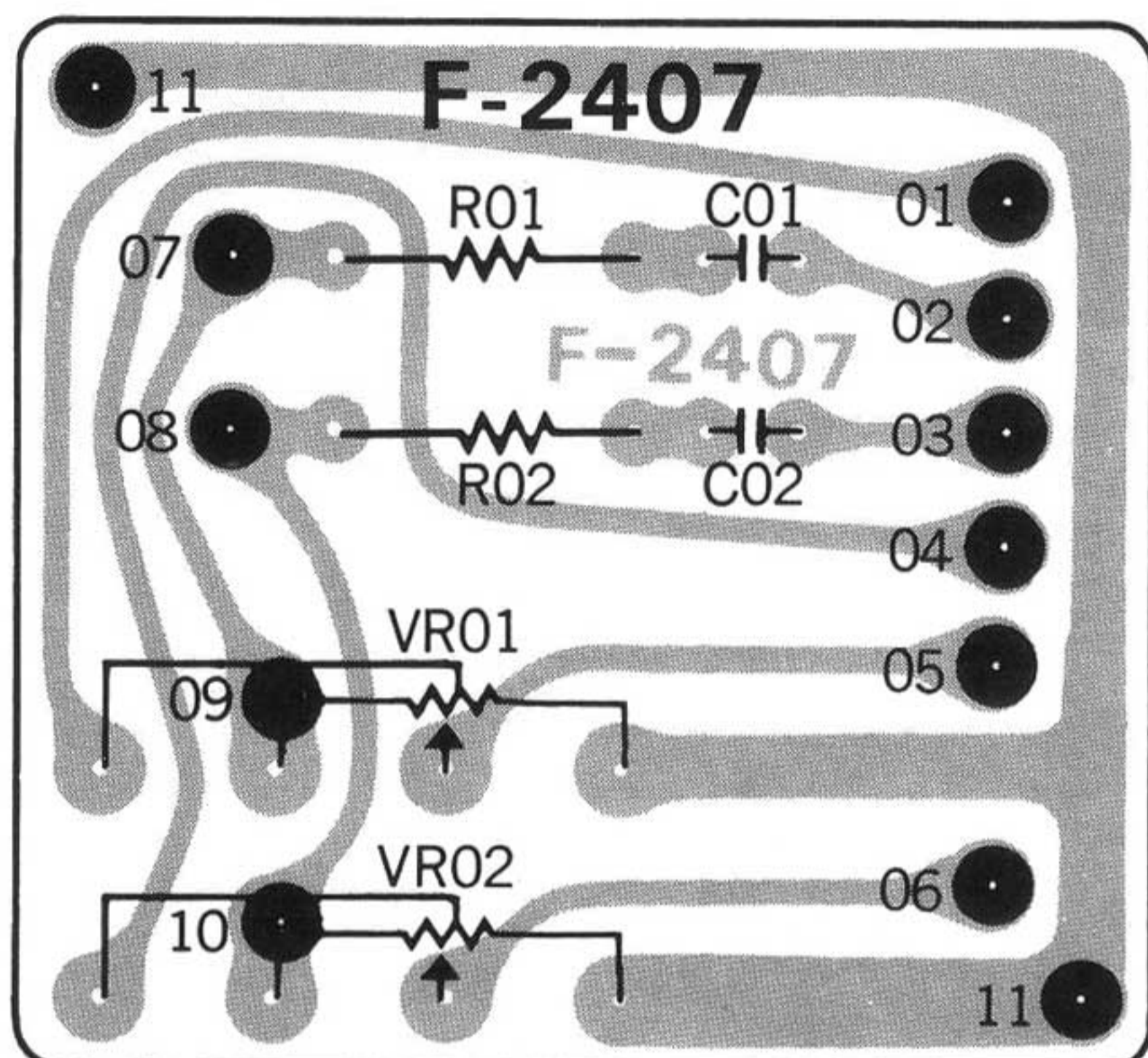
#### Parts List

| Parts No. | Stock No. | Description                       |
|-----------|-----------|-----------------------------------|
| R01, 02   | 0107103   | 10k $\Omega$ $\frac{1}{4}$ W C.R. |
| S01       | 0130860   | SUB54 Push Switch (5 Stage)       |

#### Abbreviations

|  |   |
|--|---|
| <b>C.R.</b> : Carbon Resistor          | <b>BP.E.C.:</b> Bi-Polar Electrolytic Capacitor |
| <b>S.R.</b> : Solid Resistor           | <b>C.C.</b> : Ceramic Capacitor                 |
| <b>Ce.R.</b> : Cement Resistor         | <b>Mi.C.</b> : Mica Capacitor                   |
| <b>M.R.</b> : Metallized Film Resistor | <b>O.C.</b> : Oil Capacitor                     |
| <b>M.C.</b> : Mylar Capacitor          | <b>P.C.</b> : Polystyrene Capacitor             |
| <b>E.C.</b> : Electrolytic Capacitor   | <b>T.C.</b> : Tantalum Capacitor                |

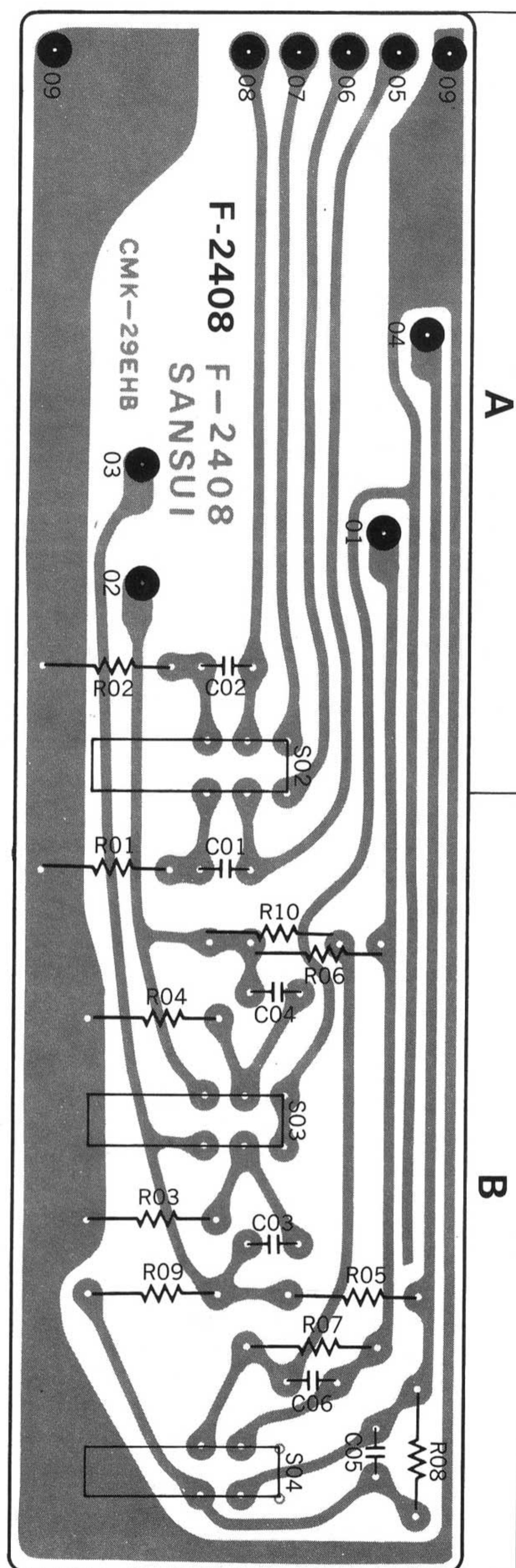
### 4-4. F-2407 Volume Circuit Board Conductor Side



#### Parts List

| Parts No. | Stock No.  | Description                       |
|-----------|------------|-----------------------------------|
| C01       | 0621561    | 560pF } 50V P.C.                  |
| C02       | 0621561    | 560pF }                           |
| R01       | 0107153    | 15kΩ } 1/4W C.R.                  |
| R02       | 0107153    | 15kΩ }                            |
| VR01      | 1011010, 1 | 250kΩ (B) × 2 } Variable Resistor |
| VR02      | 1011010, 1 | 250kΩ (B) × 2 }                   |

### 4-5. F-2408 Accessory Circuit Board (Stock No. 7592110 Complete Circuit Board F-2408) Conductor Side



#### Parts List

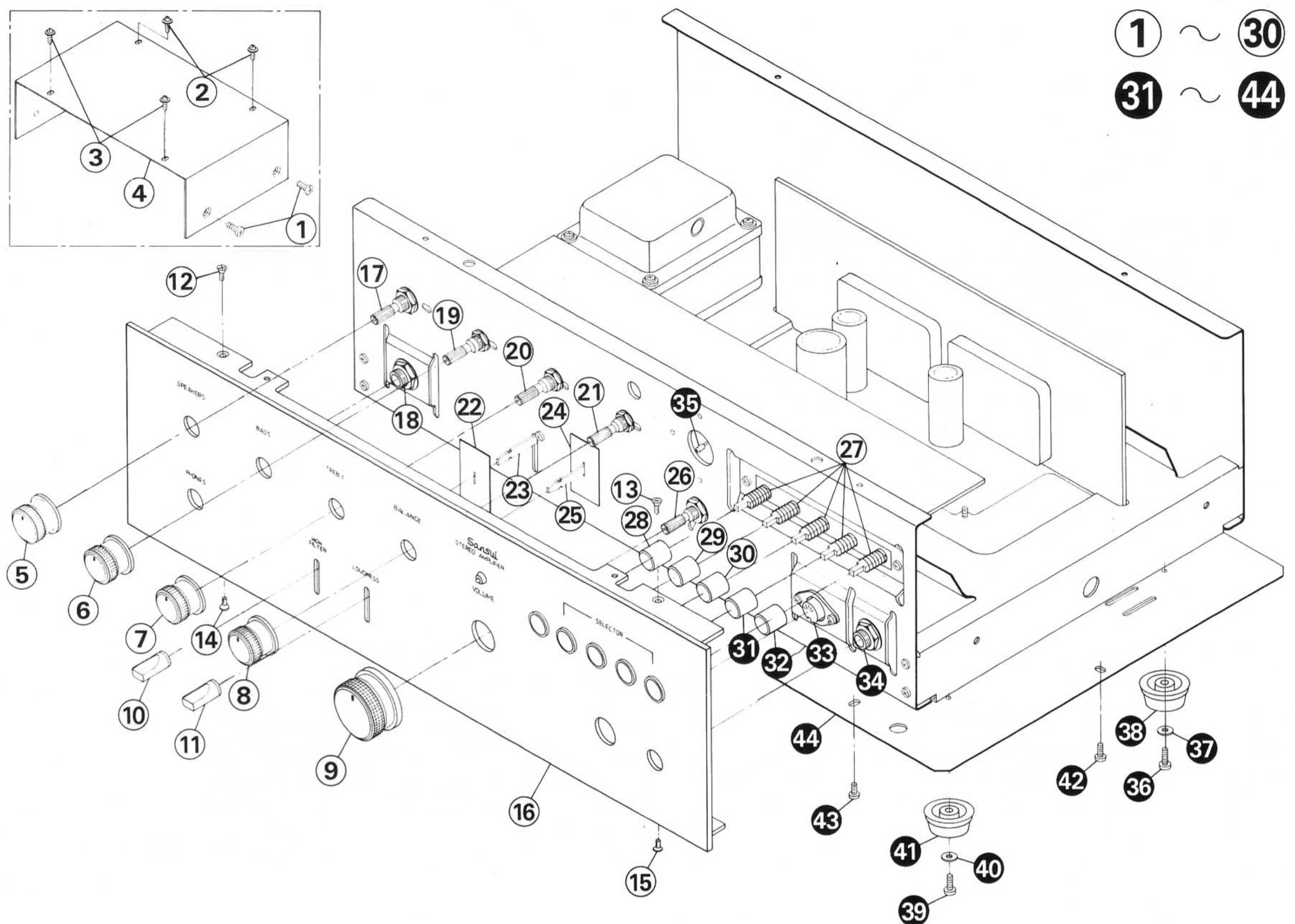
| Parts No. | Stock No. | Description           | Position |
|-----------|-----------|-----------------------|----------|
| C01, 02   | 0601157   | 0.015μF } 50V M.C.    | B . A    |
| C03, 04   | 0601157   | 0.015μF }             | B        |
| R01, 02   | 0107223   | 22kΩ } 1/4W C.R.      | B . A    |
| R03, 04   | 0107104   | 100kΩ }               | B        |
| R05, 06   | 0107222   | 2.2kΩ }               | B        |
| S02(a,b)  | 1170340   | SX15-5 } Lever Switch | A        |
| S03(a,b)  | 1170350   | SX15-6 }              | B        |

#### Abbreviations

|  |   |
|--|---|
| <b>C.R.</b> : Carbon Resistor          | <b>BP.E.C.:</b> Bi-Polar Electrolytic Capacitor |
| <b>S.R.</b> : Solid Resistor           | <b>C.C.</b> : Ceramic Capacitor                 |
| <b>Ce.R.</b> : Cement Resistor         | <b>Mi.C.</b> : Mica Capacitor                   |
| <b>M.R.</b> : Metallized Film Resistor | <b>O.C.</b> : Oil Capacitor                     |
| <b>M.C.</b> : Mylar Capacitor          | <b>P.C.</b> : Polystyrene Capacitor             |
| <b>E.C.</b> : Electrolytic Capacitor   | <b>T.C.</b> : Tantalum Capacitor                |



### 4-6. Other Parts (Front Side)

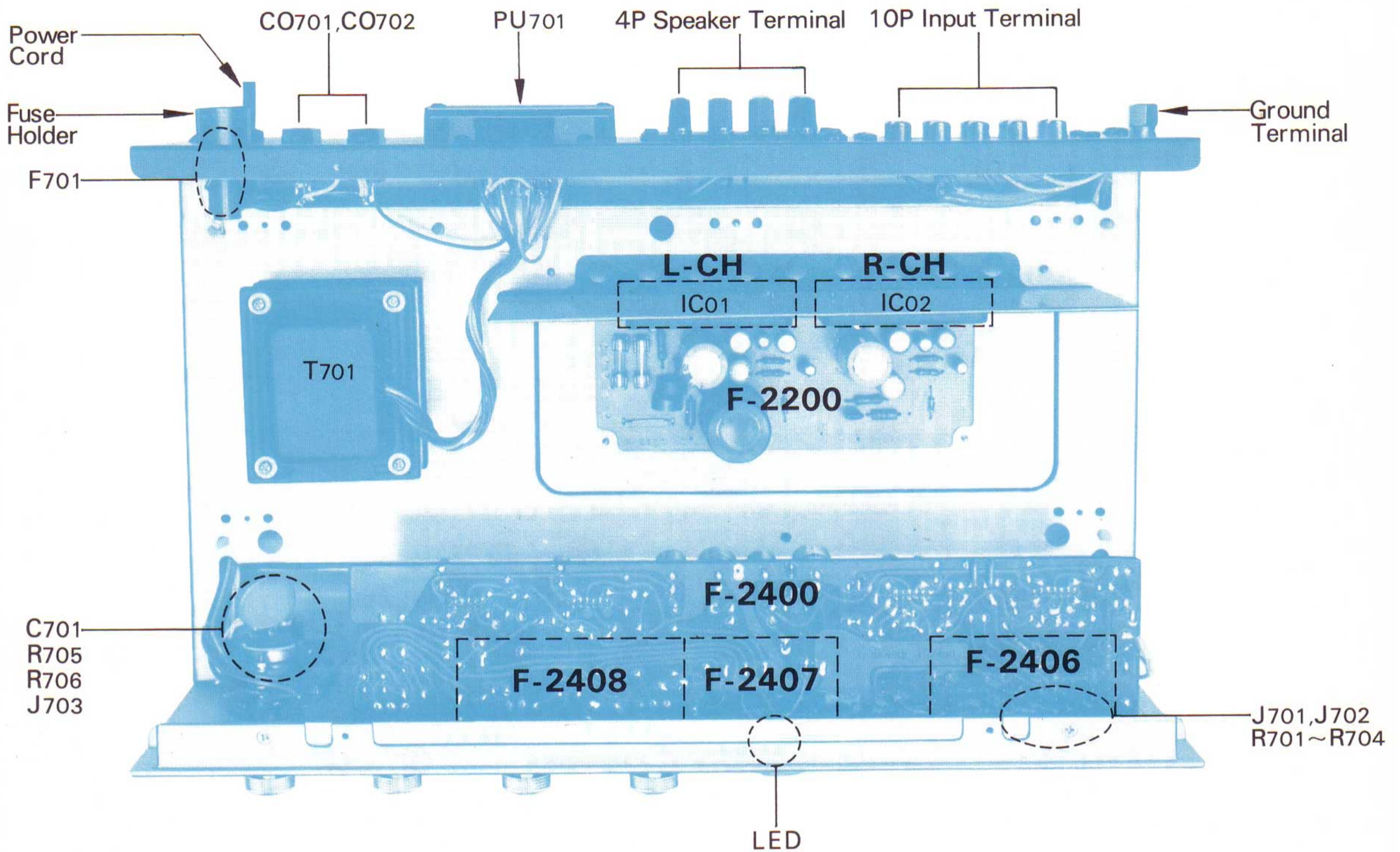


### Parts List

| Parts No. | Stock No. | Description                       |
|-----------|-----------|-----------------------------------|
| 1         | 5101161   | Binding Head Screw, M4×6          |
| 2         | 5109222   | Binding Head Tapping Screw, 3×8   |
| 3         | 5109222   | Binding Head Tapping Screw, 3×8   |
| 4         | 5006310   | Bonnet                            |
| 5         | 5317880   | S-5 Type Knob, SPEAKERS           |
| 6         | 5317880   | S-5 Type Knob, BASS volume        |
| 7         | 5317880   | S-5 Type Knob, TREBLE volume      |
| 8         | 5317880   | S-5 Type Knob, BALANCE volume     |
| 9         | 5317911   | M-5 Type Knob, VOLUME             |
| 10        | 5326460   | E-1 Type Knob, HIGH FILTER Switch |
| 11        | 5326460   | E-1 Type Knob, LOUDNESS Switch    |
| 12        | 5102543   | F Type Screw, M3×6                |
| 13        | 5102543   | F Type Screw, M3×6                |
| 14        | 5109122   | Binding Head Tapping Screw, 3×8   |
| 15        | 5109122   | Binding Head Tapping Screw, 3×8   |
| 16        | 5309290   | Front Panel                       |
| 17        | 1101550   | Rotary Switch Y-1-2-5, SPEAKERS   |
| 18        | 2430190   | Headphone Jack                    |
| 19        | 1015080   | 100kΩ (A)×2 BASS volume           |
| 20        | 1015080   | 100kΩ (A)×2 TREBLE volume         |
| 21        | 1015070   | 100kΩ (MN)×2 BALANCE volume       |
| 22        | 5047460   | Masking, High Filter Switch       |

| Parts No. | Stock No.  | Description                     |
|-----------|------------|---------------------------------|
| 23        | 1170350    | LEVER Switch, High Filter       |
| 24        | 5047460    | Masking, Loudness Switch        |
| 25        | 1170340    | LEVER Switch, Loudness          |
| 26        | 1011010, 1 | 250kΩ (B)×2 VOLUME              |
| 27        | 1130860    | Push Switch (5 Stage)           |
| 28        | 5326500    | B Type Push Button              |
| 29        | 5326500    | B Type Push Button              |
| 30        | 5326500    | B Type Push Button              |
| 31        | 5326500    | B Type Push Button              |
| 32        | 5326500    | B Type Push Button              |
| 33        | 2430050    | DIN Connector                   |
| 34        | 2430160    | Mic Jack                        |
| 35        | 7726080    | LED Ass'y (Light Emitted Diode) |
| 36        | 5166520    | Binding Head Screw, M3×12       |
| 37        | 5121340    | Washer, M3φ                     |
| 38        | 5516940    | Rubber Foot                     |
| 39        | 5166520    | Binding Head Screw, M3×12       |
| 40        | 5121340    | Washer, M3φ                     |
| 41        | 5516940    | Rubber Foot                     |
| 42        | 5109222    | Binding Head Screw, M3×8        |
| 43        | 5109222    | Binding Head Screw, M3×8        |
| 44        | 5058190    | Bottom Plate                    |

### 4-7. Other Parts (Top Side)

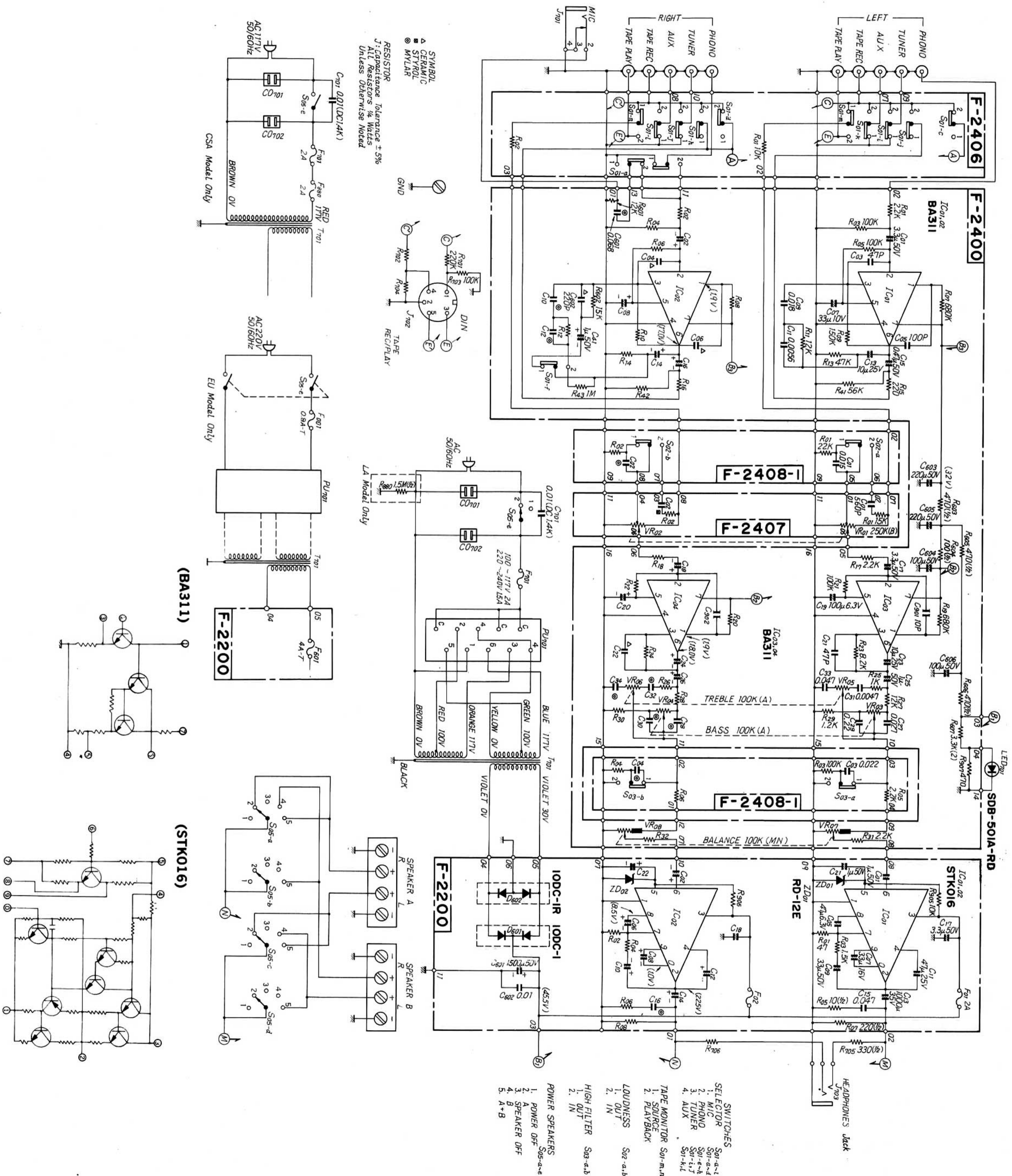


### Parts List

| Parts No. | Stock No. | Description                          |
|-----------|-----------|--------------------------------------|
| IC01, 02  | 0360130   | STK-016B IC                          |
| C701      | 0659801   | 0.01 $\mu$ F 1.4kV C.C.              |
| R701, 702 | 0107224   | 220k $\Omega$ } $\frac{1}{4}$ W C.R. |
| R703, 704 | 0107104   | 100k $\Omega$ }                      |
| R705, 706 | 0103331   | 330 $\Omega$ $\frac{1}{2}$ W C.R.    |
| LED       | 7726080   | Light Emitted Diode Ass'y            |
| J701      | 2430160   | Mic Jack                             |
| J702      | 2430050   | DIN Jack                             |
| J703      | 2430190   | Phone Jack                           |
| CO701,702 | 2450050   | AC Outlet                            |

| Parts No. | Stock No.                         | Description  |
|-----------|-----------------------------------|--|
| T701      | 4002080                           | Power Transformer  |
| F701      | { 0431242<br>0431232<br>2300060 } | { 2A (100~117V)<br>1.5A (220~240V)<br>Fuse Holder } Power Fuse |
| PU701     | { 2410080<br>2410090 }            | { Voltage Selector, Socket<br>Voltage Selector, Plug }         |
|           | 2200350                           | 10P Input Terminal   |
|           | 2210200                           | 4P Speaker Terminal  |
|           | 2230050                           | Ground Terminal  |
|           | 3800020                           | Power Cord (KP-200)  |
|           | 3910490                           | Power Cord Clip  |

# 5. SCHEMATIC DIAGRAM

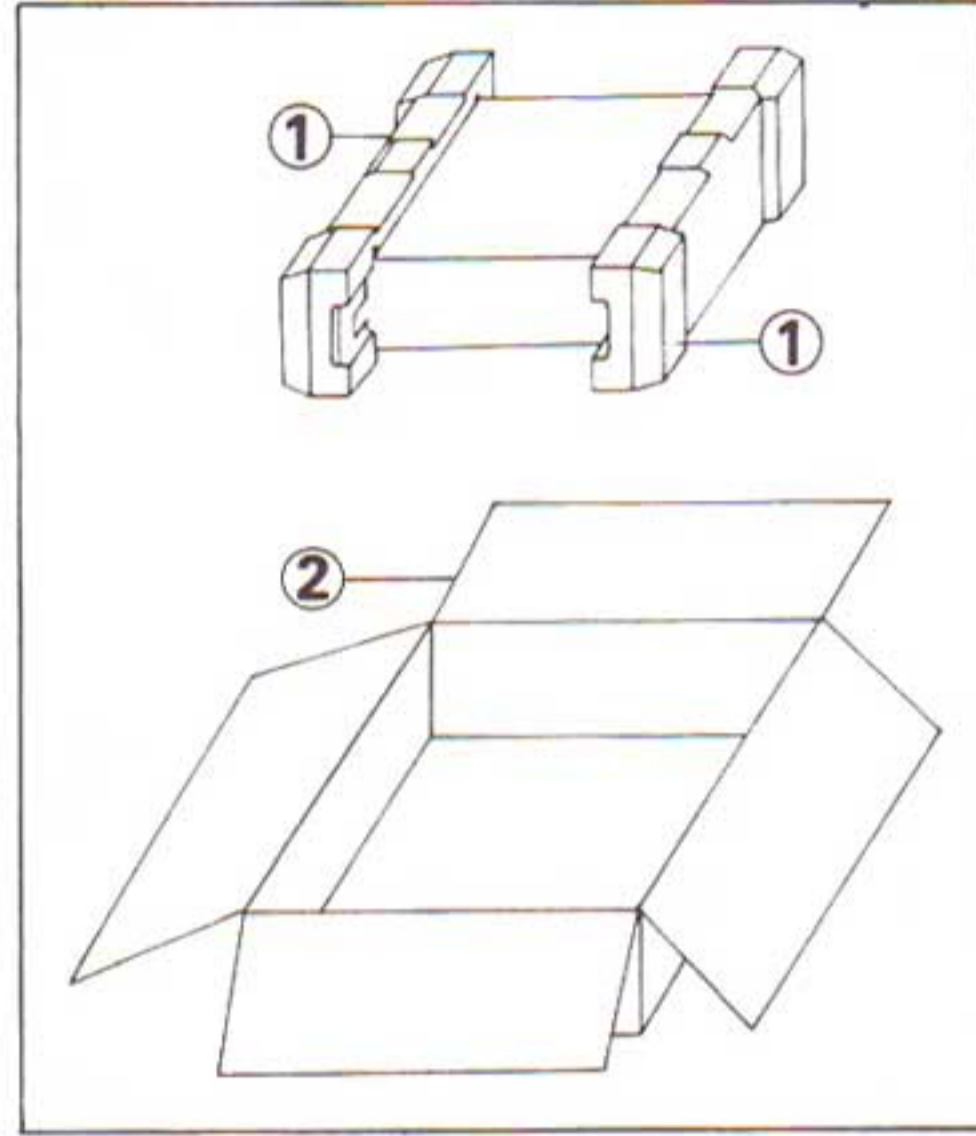


\* Design and specifications subject to change without notice for improvements.

---

## 6. PACKING LIST

| Parts No. | Stock No. | Description       |
|-----------|-----------|-------------------|
| 1         | 9027800   | Stylofoam Packing |
| 2         | 9008061   | Corton Case       |



## 7. ACCESSORY PARTS LIST

| Stock No. | Description                 |
|-----------|-----------------------------|
| 0433610   | 2A Quick Acting Fuse        |
| 9208330   | Operating Instructions      |
| 9228330   | Operating Instruction Sheet |

---

SANSUI ELECTRIC CO., LTD.

14-1, 2-chome, Izumi, Suginami-ku, Tokyo 168, Japan  
TELEPHONE: (03) 323-1111/TELEX: 232-2076