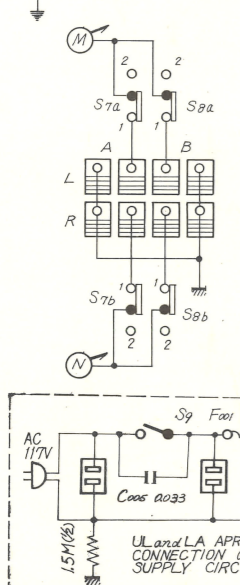
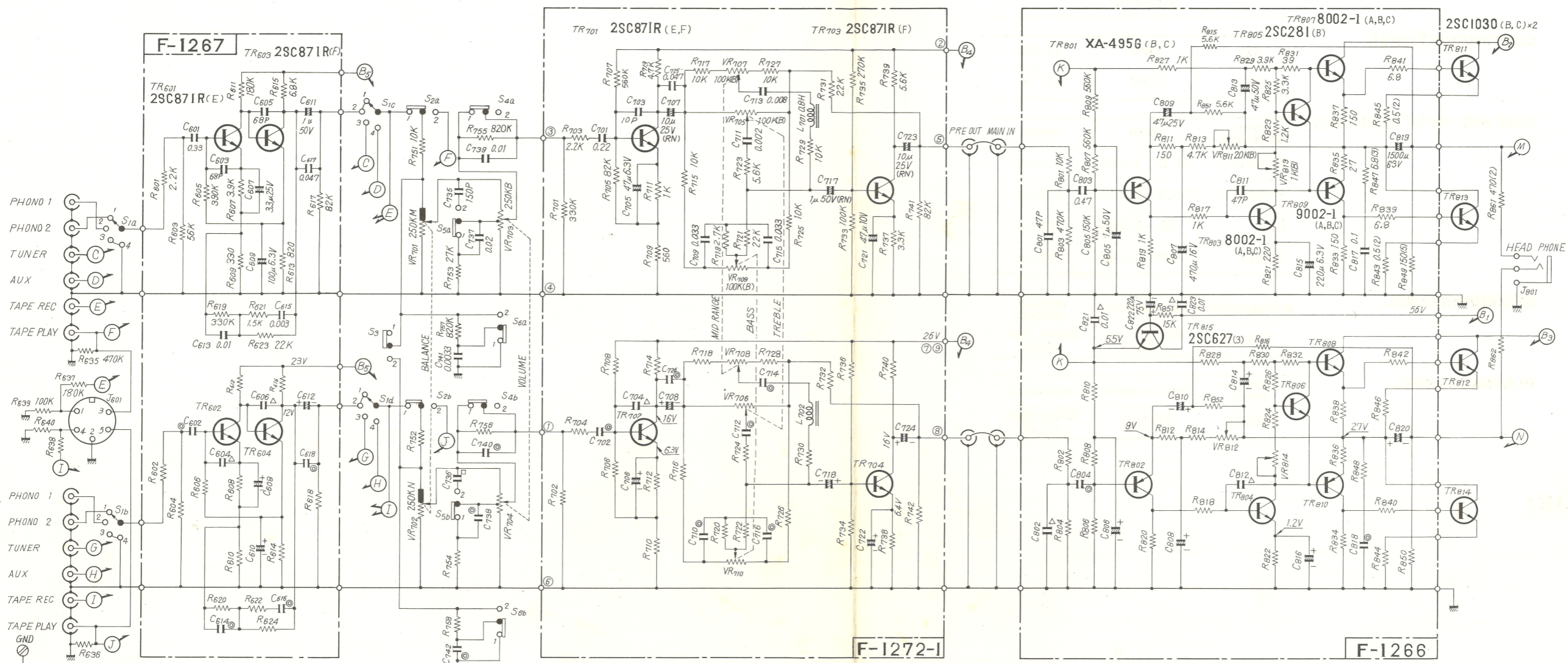


SANSUI AU-555A SCHEMATIC DIAGRAM



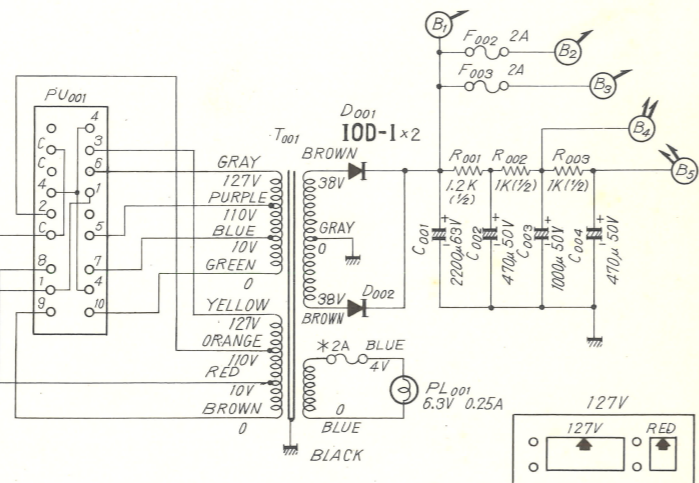
SYMBOL
 ○ OIL ● MYLAR
 □ MICA △ CERAMIC

ALL RESISTORS 1/4 WATT
 UNLESS OTHERWISE NOTED.

Replace with sametype fuse
 100-127V 2A
 220-250V 1.5A

UNSWITCHED 150VA
 SWITCHED 50VA

*Wired-in Fuse
 CSA Approved Equipment only



- S1(a,b) SELECTOR SW
 1. PHONO 2
 2. PHONO 1
 3. TUNER
 4. AUX
 5. TAPE MONITOR SW
 1. SOURCE
 2. PLAY BACK
 3. MODE SW
 1. STEREO
 2. MONO
 S4(a,b) LOW FILTER SW
 1. OFF
 2. ON

- S5(a,b) LOUDNESS SW
 1. OFF
 2. ON
- S6(a,b) HIGH FILTER SW
 1. OFF
 2. ON
- S7(a,b) A SPEAKERS SW
 1. ON
 2. OFF
- S8(a,b) B SPEAKERS SW
 1. ON
 2. OFF

- S9 POWER SW
 1. OFF
 2. ON

