

SPECIFICATIONS

POWER OUTPUT:
 100 watts RMS continuous power; 50 watts per channel with both channels operating simultaneously with 8 ohms load at any frequency from 20 Hz to 20,000 Hz.
 68 watts per channel at 4 ohms load, 11,000 Hz.
 35 watts per channel at 16 ohms load, 11,000 Hz.
 196 watts IHF total music power at 4 ohms load.
 170 watts IHF total music power at 8 ohms load.

HARMONIC DISTORTION:
 Less than 0.5% at rated output from 20 Hz to 20,000 Hz.

INTERMODULATION DISTORTION: (60 Hz and 7,000 Hz 4 : 1)
 Less than 0.3% at rated output or at any level of less than rated output.
 Less than 0.1% at -3 dB rated output.

FREQUENCY RESPONSE:
 High Level Input: 20 Hz to 50,000 Hz ± 1 dB

SENSITIVITY: (for rated output at 8 ohms load)
 PHONO 1: 2.5 mV
 PHONO 2: 2.5 mV, 0.06 mV (Switchable)
 MIC: 5 mV
 AUX 1, 2: 200 mV
 TAPE PLAY A, B: 200 mV
 MAIN AMP. INPUT: 1 V

INPUT IMPEDANCE: (at 1,000 Hz)
 PHONO 1: 25 mV: 30 K ohms, 50 K ohms (Switchable)
 PHONO 2: 2.5 mV: 50 K ohms
 PHONO 2: 0.06 mV: 200 ohms
 MIC: 50 K ohms
 AUX 1, 2, TUNER: 100 K ohms
 TAPE PLAY A, B: 100 K ohms
 MAIN AMP. INPUT: 50 K ohms

SIGNAL TO NOISE RATIO: (below rated output)
 PHONO 1: 2.5 mV: 65 dB
 PHONO 2: 2.5 mV: 65 dB
 PHONO 2: 0.06 mV: 45 dB
 MIC: 60 dB
 AUX, TUNER, TAPE PLAY: 77 dB
 Noise at Minimum Volume Control: 0.5 mV at 8 ohms, 0.00031 milliwatts

MAXIMUM INPUT SIGNAL:
 310 mV P-P 1,000 Hz at PHONO 1 input.
 0.25 ohms from 50 Hz to 10,000 Hz

DAMPING FACTOR:
 90 at 16 ohms load
 45 at 8 ohms load

LOW FILTER: (for rumble)
 40 Hz Cutoff, 18 dB per octave
 80 Hz Cutoff, 18 dB per octave

HIGH FILTER: (for scratch)
 7,000 Hz Cutoff, 18 dB per octave

BASS CONTROL:
 ±1 dB at 100 Hz with 2 dB step switch (TONE CONTROL SWITCH at 300 Hz)

TREBLE CONTROL:
 ±10 dB at 10,000 Hz with 2 dB step switch (TONE CONTROL SWITCH at 2 kHz)

TONE CONTROL SWITCH: (turnover roll off freq.)
 BASS: (150 Hz, 300 Hz, DEFEAT)
 TREBLE: (2 kHz, 6 kHz, DEFEAT)

INPUTS:
 Pair of Phono 1, Phono 2, AUX 1, AUX 2, Tuner, Tape Play A, Tape Play B, MIC, 4 channel, and Main Amp. Inputs

OUTPUTS:
 3 pairs of stereo speaker outputs (4 to 16 ohms), Pre-amp outputs, Headphone Jack, Low level MONO output, Tape Recording outputs A and B, DIN standard Tape Rec/Play connector A and B, Switched and Unswitched AC outlets, 4 channel output.

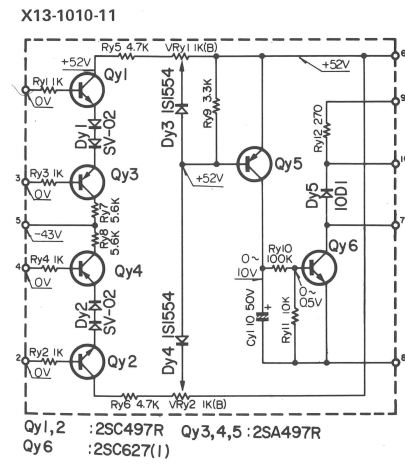
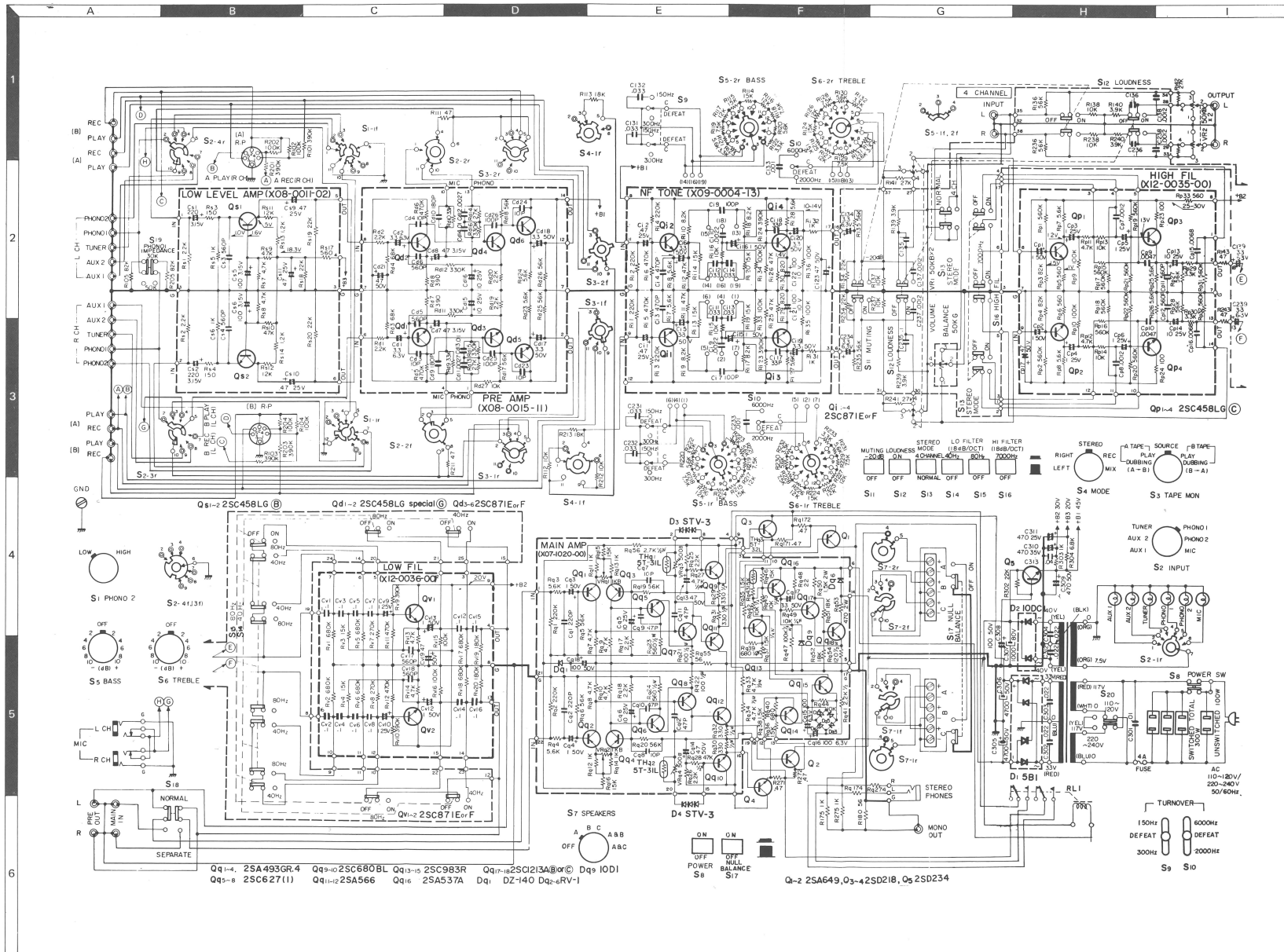
CONTROLS:
 Phono 2 Level Switch, Input Selector Switch, Tape monitor Switch, Mute Switch, Tone Control Switch, Speaker Selector Switch, Volume Control, Balance Control, Bass Control Switch, Treble Control Switch, Muting Switch A and B, DIN standard Tape Rec/Play connector A and B, Switched and Unswitched AC outlets, 4 channel output, Input Selector Switch, and Pre-Main Separate Switch.

SPECIAL FEATURES:
 • Direct Coupling Power Amplifier
 • 3 sets of Stereo Speaker terminals and front panel speaker selector switch.
 • Tape monitor and Dubbing Switch for 2 tape recorders.
 • Low level phono input (0.06 mV) for Moving coil type or Low level output cartridge.
 • 18 dB cut off Low and High Filter.
 • 4 channel input/output terminals and control volume.
 • Phono input impedance selector.
 • 2 dB step tone controls with time control volume.
 (DEFEAT 150 Hz, 300 Hz, 2 kHz, 6 kHz)
 • Null Balance switch.
 • Power transformer protection circuit.
 • 20 dB muting switch.
 • Light on input meters.
 • Pre-amp output.
 • Main amp. input.
 • Stereo phone jack on front panel.

POWER CONSUMPTION:
 AC 110-120/220-240 volts 50/60 Hz.
 15 watts quiescent, 275 watts at full power.

DIMENSION: (not including control knobs)
 WIDTH 16.5/16", HEIGHT 5-5/32", DEPTH 11-1/32"

WEIGHT: 22.1 Lbs.



CAUTION: This schematic diagram is useful from serial No. 410,501.

