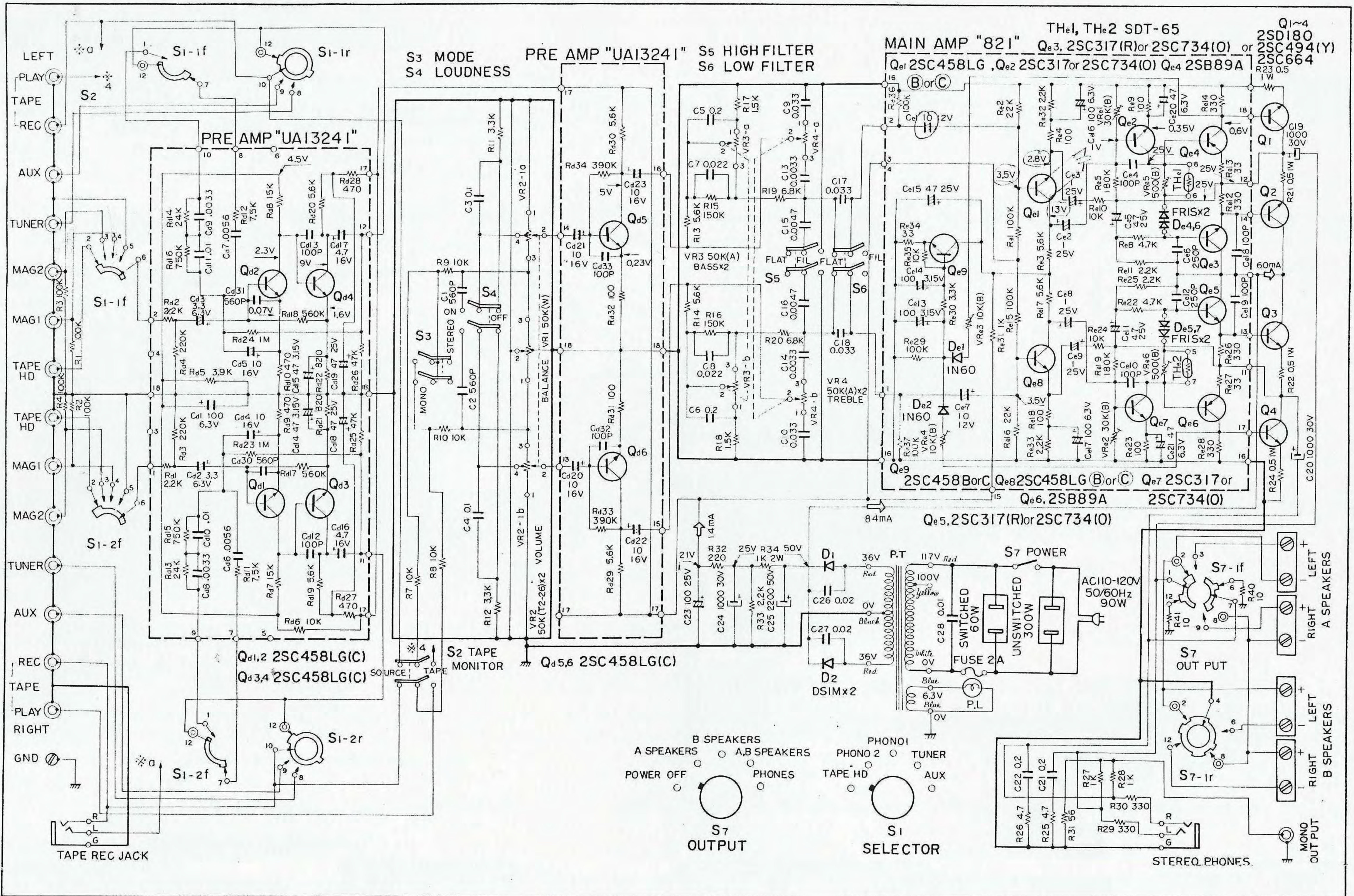


HiFi ENGINE®

For more Hi-Fi manuals and set-up information
please visit www.hifiengine.com

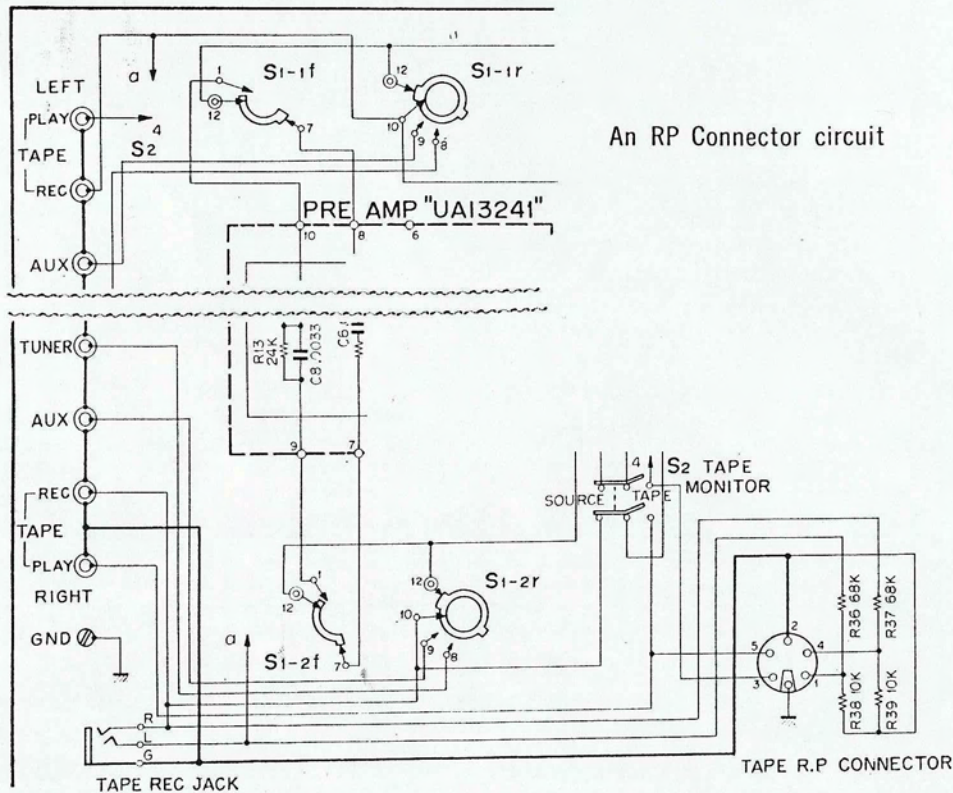
KA-2500, TK-250U SCHEMATIC DIAGRAM



NOTE

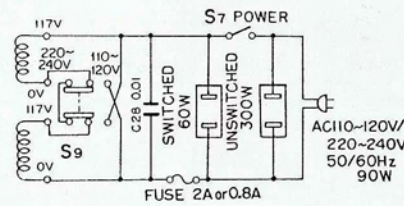
The schematic diagram above is for the KA-2500 and TK-250U amplifiers made for operation in AC 110-120V power source areas. Revised power transformer circuits for those amplifiers made to accept different power source voltages are shown at the right, as well as the RP Connector schematic for those sets incorporating this feature.

We reserve the right to make modifications in this model in accordance with technical developments.

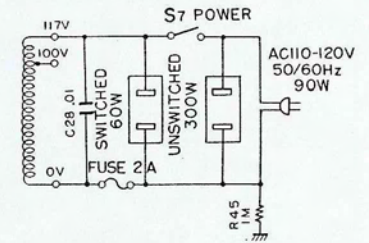


POWER TRANSFORMER ARRANGEMENT

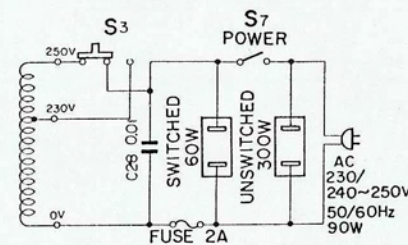
For AC 110-120V/220-240V Sets



For Sets sold in Canada



For AC 230V/240~250V Sets



For AC 220~240V Sets

